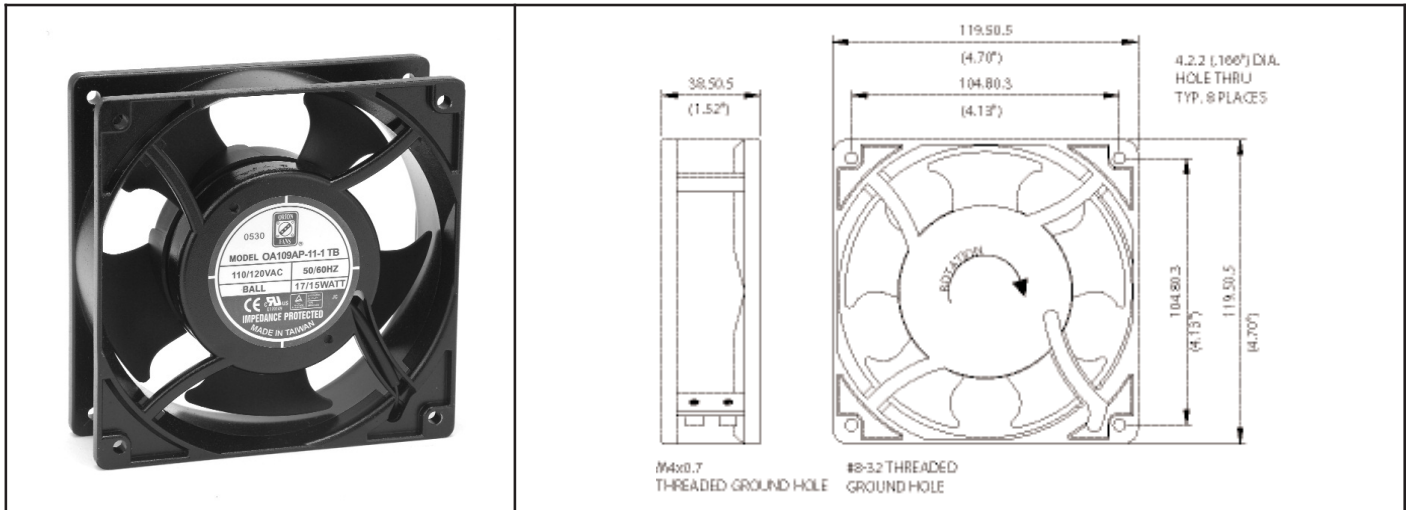


# OA109 Series



AC Fan - 115V, 230V, Dual Voltage  
120x38mm (4.7"x 1.5")



<b>Frame</b>	Diecast Aluminum	<b>Operating Temperature</b> Ball Bearing -20C ~ +80C Sleeve Bearing -10C ~ +50C  <b>Life Expectancy</b> Ball Bearing 60,000 hours (L10 at 40C) Sleeve Bearing 30,000 hours (L10 at 40C)  <b>Dual Voltage</b> Fans can be configured to run on 115V or 230V. Connection via 4x leads  m0	
<b>Impeller</b>	PBT, UL94V-O plastic		
<b>Connection</b>	2x 300mm Lead wires (22AWG) or terminals		
<b>Motor</b>	AC shaded pole, impedance protected		
<b>Bearing System</b>	Dual ball or Sleeve		
<b>Insulation Resistance</b>	10M ohm between leadwire and frame (500VDC)		
<b>Dielectric Strength</b>	1 min at 1500 VAC, 50/60Hz		

Model Number	Speed (RPM)	Airflow (CFM)	Noise (dB)	Volts AC	Voltage Range	Watts	Max. Static Pressure (\"H2O)
OA109AP-11-1*	3000	110	42	115	80~130	15	.28
OA109AP-11-2*	2300	71	35	115	80~130	11	.24
OA109AP-11-3*	1600	51	25	115	80~130	8	.15
OA109AP-22-1*	3000	110	42	230	160~260	15	.28
OA109AP-22-2*	2300	71	30	230	160~260	11	.24
OA109AP-22-3*	1600	51	25	230	160~260	8	.15
OA109AP-11/22-1WB	3000	110	42	115/230	80~260	15	.28
OA109AP-11/22-2WB	2300	71	35	115/230	80~260	11	.24
OA109AP-11/22-3WB	1600	51	25	115/230	80~260	8	.15

\* Indicate "TB" (Terminal Ball Bearing), "WB" (12" Wire Leads, Ball Bearing), "TS" (Terminal, Sleeve Bearing), "WS" (12" Wire Leads, Sleeve Bearing)  
 \*\* Indicate "B" (Ball Bearing) or "S" (Sleeve Bearing)