



Bi-Sonic

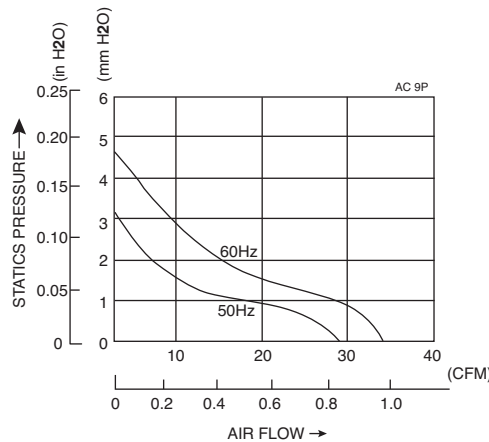
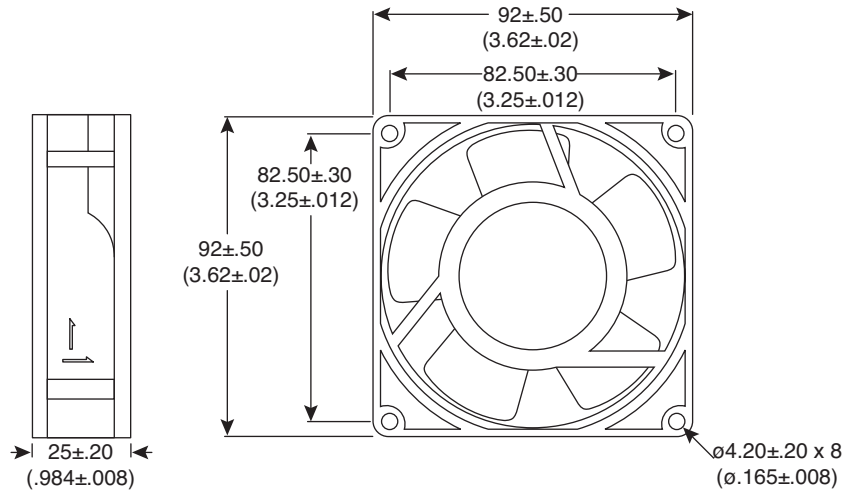
# AC Tubeaxial Fan

433-9P-115HB

Date Last Revised: 7/9/10

BI-200002

## Dimensions: mm (in.)



### Electrical Specifications:

- Weight: 280g
- Rated voltage: 115VAC
- Frequency: 60Hz
- Max. rated current: 140mA
- Max. input power: 14W
- Speed: 2900 R.P.M.
- Max. air flow: 34.17 CFM
- Max. air pressure: 4.21mmH<sub>2</sub>O  
0.17 IN H<sub>2</sub>O
- Noise: 41dB-A

### Mechanical Specifications:

- Operating temperature: -30°C to +75°C

### Materials:

- Housing: die-cast aluminum
- Impeller: glass fiber reinforced plastic  
UL 94V-0 rating, impedance protected
- Bearing: Ball



### Note:

- RoHS Compliant by exemption

Available from Mouser Electronics

1-800-346-6873

www.mouser.com

Specifications are subject to change without notice. No liability or warranty implied by this information. Environmental compliance based on producer documentation.