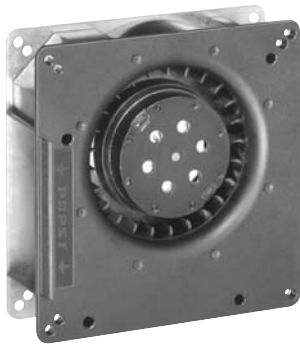


RG90AC Series

Flatpak

135x135x38mm



■ AC radial blower with external rotor shaded-pole motor. Impedance protected against overloading.

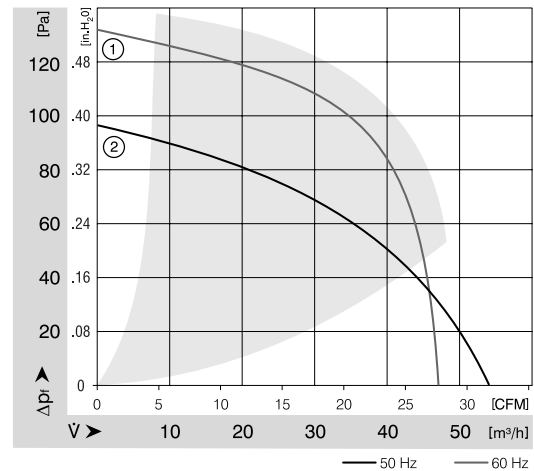
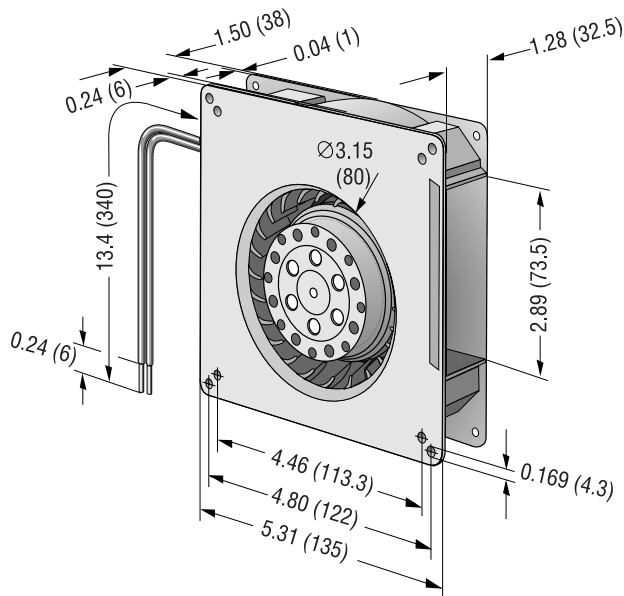
■ Spiral housing and blower of fiber-glass reinforced plastic. Housing base of galvanised steel plate.

■ Radial air exhaust through housing port. Rotational direction CW looking at rotor.

■ Electrical connection via 2 leads AWG 22. Stripped and tinned ends.

■ UL, CSA, VDE approvals on some models, please contact application engineering.

Part Number	Curve	CFM @ 0	VAC	Hertz	Power (W)	dBA	Max Amb. Temp C	Bearing Type	Features	Wgt. (lbs)
RG90-18/00	1	27.7	115	60	22	60	65	Sintec	Leads	1.25
RG90-18/06	1	27.7	115	60	22	60	65	Ball	Leads	1.25
RG90-18/50	2	31.8	230	50	22	60	60	Sintec	Leads	1.25
RG90-18/56	2	31.8	230	50	22	60	60	Ball	Leads	1.25



ebmpapst

e-mail: sales@us.ebmpapst.com · TEL: 860-674-1515 · FAX: 860-674-8536

ebm-papst Inc., 100 Hyde Road, Farmington, CT 06034 USA

ebm-papst Inc., 2006 © ebm-papst Inc. reserves the right to change any specifications or data without notice