

max. 204 m³/h

DC Axial Fans

Series 4300 119 x 119 x 32 mm



Highlights:

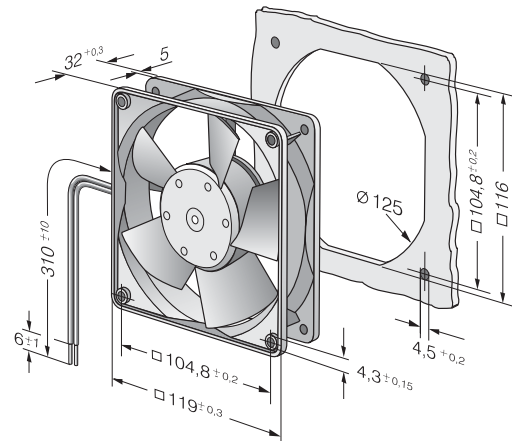
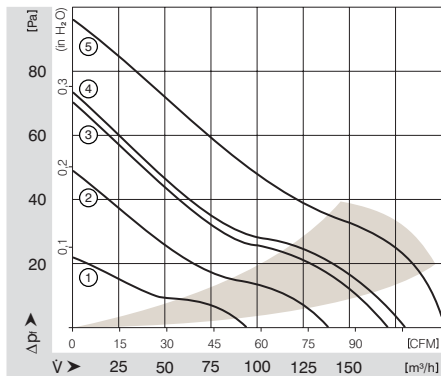
- Ball bearings and sleeve bearings available.
- Optional Vario-Pro: Highly adaptable software configuration of the fan enables a tailor-made solution to the specific requirements of your applications

General characteristics:

- Material: fiberglass-reinforced plastic. Impeller PA, housing PBT.
- Fully integrated electronic commutation.
- Protected against reverse polarity and blocking.
- Electrical connection via single leads AWG 22, TR 64. Stripped and tinned ends.
- Blowing over struts. Rotational direction CW looking at rotor.
- Mass: 220 g.

Nominal Data	Air Flow		Nominal Voltage	Voltage Range	Noise	Sound Power	Sinter-Sleeve Bearings Ball Bearings	Power Input	Nominal Speed	Temperature Range	Service Life L ₁₀ (40 °C) ehm-papst Standard	Service Life L ₁₀ (T _{max}) ehm-papst Standard	Life expectancy L _{10Δ} (40 °C)	Curve	Specials
	m ³ /h	CFM													
4312 GL	95	55.9	12	6...15	30	4.3	□	1.2	1 550	-20...+75	80 000 / 35 000	157 500	1		
4312 L	95	55.9	12	6...15	30	4.3	■	1.2	1 550	-20...+75	80 000 / 35 000	157 500	1		
4312 GM	140	82.4	12	6...15	39	5.3	□	2.6	2 300	-20...+75	70 000 / 30 000	135 000	2		
4312 M	140	82.4	12	6...15	39	5.3	■	2.6	2 300	-20...+75	70 000 / 30 000	135 000	2	/12	
4312 G	170	100.1	12	6...15	45	5.8	□	5.0	2 800	-20...+75	62 500 / 27 500	122 500	3		
4312	170	100.1	12	6...15	45	5.8	■	5.0	2 800	-20...+75	62 500 / 27 500	122 500	3	/2;/19	
4312-143	180	105.9	12	6...15	47	6.1	■	5.8	3 000	-20...+75	57 500 / 25 000	112 500	4		
4312-179	204	120.1	12	6...13.2	51	6.4	■	8.5	3 400	-20...+75	47 500 / 20 000	90 000	5		
4314 L	95	55.9	24	12...28	30	4.3	■	1.2	1 550	-20...+75	80 000 / 35 000	157 500	1		
4314 M	140	82.4	24	12...28	39	5.3	■	2.6	2 300	-20...+75	70 000 / 30 000	135 000	2		
4314 G	170	100.1	24	12...28	45	5.8	□	5.0	2 800	-20...+75	62 500 / 27 500	122 500	3		
4314	170	100.1	24	12...28	45	5.8	■	5.0	2 800	-20...+75	62 500 / 27 500	112 500	3	/2;/12	
4314-147	180	105.9	24	12...28	47	6.1	■	5.8	3 000	-20...+75	57 500 / 25 000	112 500	4		
4314-180	204	120.1	24	12...26.5	51	6.4	■	9.5	3 400	-20...+75	45 000 / 20 000	90 000	5		
4318 M	140	82.4	48	36...56	39	5.3	■	3.5	2 300	-20...+75	70 000 / 30 000	135 000	2	/2;/17	
4318	170	100.1	48	36...53	45	5.8	■	5.0	2 800	-20...+75	62 500 / 27 500	112 500	3	/2;/17	

Rotor protrusion max. 0.4 mm.



ebmpapst