



600J Series

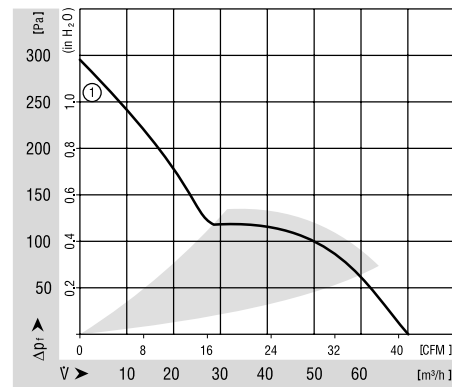
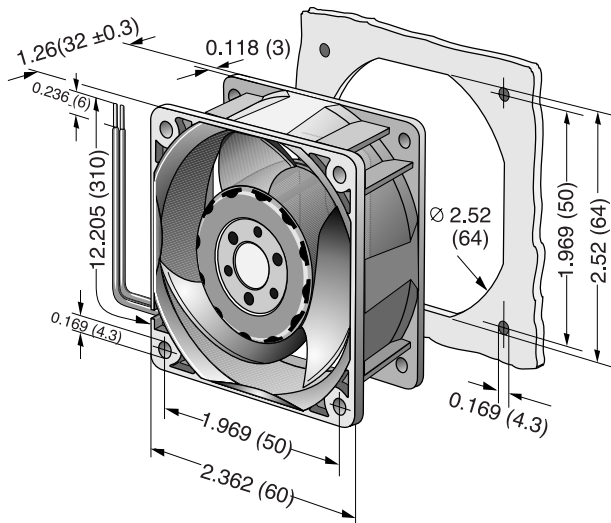
Tubeaxial

60x60x32mm

- DC fans with electronically commutated external rotor motor. Fully integrated commutation electronics.
- Innovative impeller design with winglets.
- Compact design with high power density. Electronic protection against reverse polarity, blocking and overloading.
- Fan of fiberglass reinforced plastic. PBT housing, PA impeller.
- Air exhaust over struts. Rotational direction CW looking at rotor.
- Electrical connection via 2 leads AWG 24, TR 64. Stripped and tinned ends.
- UL, CSA, VDE approvals on most models, please contact application engineering.

Part Number	Curve	CFM @ 0	VDC	Volt. Range	Power (W)	dBA	Max Amb. Temp C	Bearing Type	Features	Wgt. (lbs)
612JH	1	41.1	12	7 to 13.6	7.7	53	70	Ball	Leads	0.22
614JH	1	41.1	24	*	*	53	70	Ball	Leads	0.22
618JH	1	41.1	48	*	*	53	70	Ball	Leads	0.22

*Results on request



ebmpapst

e-mail: sales@us.ebmpapst.com · TEL: 860-674-1515 · FAX: 860-674-8536

ebm-papst Inc., 100 Hyde Road, Farmington, CT 06034 USA

ebm-papst Inc., 2006 © ebm-papst Inc. reserves the right to change any specifications or data without notice