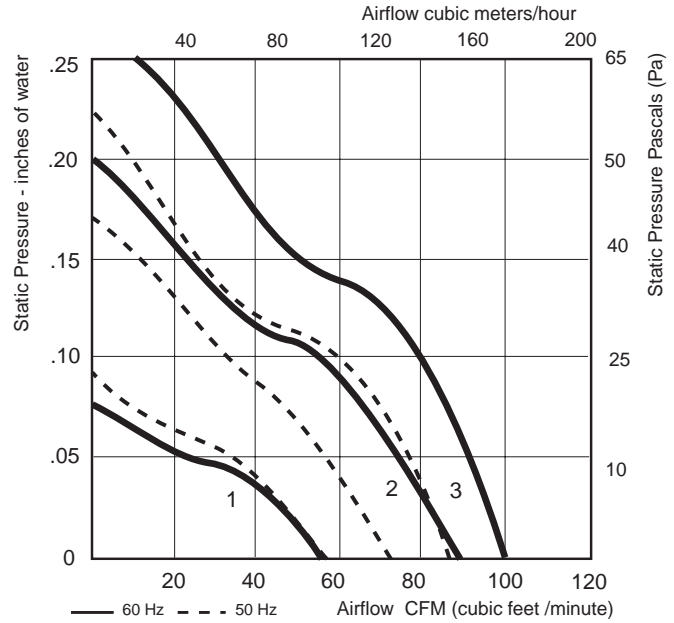
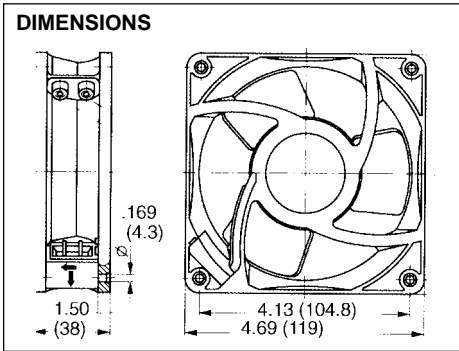


# 119 x 38mm (4.7" X 1.5") AC FAN

## 4000N Series Terminals Air Intake – Over struts



AVAILABLE WITH:

HIGH PERFORMANCE  
**SINTEC**  
SLEEVE BEARING SYSTEM

### 4.69" X 4.69" X 1.50" AC Fan, All Metal, Air intake – Over struts

Curve	PART NUMBER	Type of Bearing	AC Volts	Hertz	Watts	CFM @ 0"	dBA	Temp. Max °C	Wgt. (oz)	Features	Approvals*		
											UL	CSA	VDE
1	<b>4800N</b>	Sleeve	115	50/60	9	57	32	75	18	Terminals	√	√	√
1	<b>4850N</b>	Sleeve	230	50/60	9	57	32	75	18	Terminals	√	√	√
2	<b>4530N</b>	Sleeve	115	50/60	16	89	45	65	18	Terminals	√	√	√
2	<b>4580N</b>	Sleeve	230	50/60	16	89	45	65	18	Terminals	√	√	√
3	<b>4500N</b>	Sleeve	115	50/60	15	100	48	65	18	Terminals	√	√	√
3	<b>4550N</b>	Sleeve	230	50/60	15	100	48	65	18	Terminals	√	√	√

\* UL yellow card E38324, CSA file 27697, VDE file 1176 (4800N), VDE 6617 (4530 & 4500), 4621 (4850)

CONSTRUCTION MOUNTING & CONNECTION	<b>Mounting:</b>	Either face using four .169" (4.3mm) holes	<b>Housing:</b>	Metal with metal impeller
	<b>Weight:</b>	18 ounces (520g)	<b>Connection:</b>	Terminals with two flat pins, .118" x.02" (3.0 x 0.5 mm)