

RER160AC Series Motorized Impeller

Ø 176 x 54mm



- AC radial blower with external rotor shaded-pole motor. Impedance protected against overloading.
- Blower wheel of fiberglass reinforced plastic, with steel plate reinforced.
- Air exhaust radial. Rotational direction CW looking at rotor.
- Electrical connection via leads AWG 22. Stripped and tinned ends.
- UL, CSA, VDE approvals on most models, please contact application engineering.

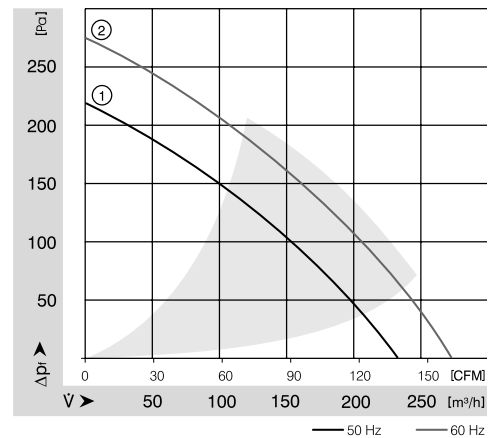
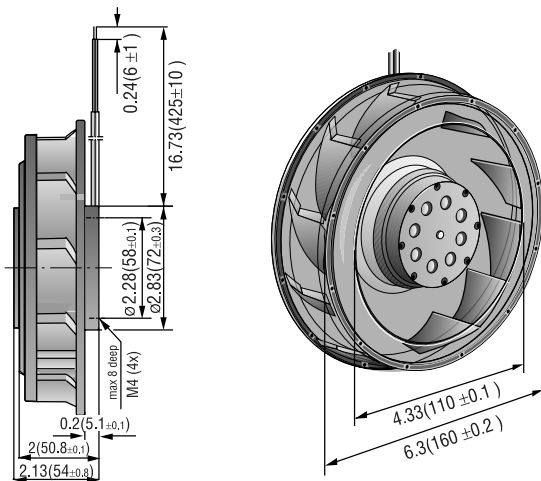
Part Number	Curve	CFM @ 0	VAC	Hertz	Power (W)	dBA	Max Amb. Temp. C	Bearing Type	Features	Speed (RPM)	Wgt. (lbs)
RER160-28/06S	2	161.3	115	60	46	68	70	Ball	Leads	3250	2.19
RER160-28/56S	1	137.7	230	50*	45	68	60	Ball	Leads	2800	2.19

*60 Hz data available on request.

The air flow and noise level of fans without external housing depends on the installation conditions. The stated air flow and noise has been measured under the following conditions:

Centrifugal fan mounted on a base plate 220 x 220 mm.

Cover plate 220 x 200 mm with an air-inlet of ø 86 mm, concentric to the blower wheel.



ebmpapst

e-mail: sales@us.ebmpapst.com · TEL: 860-674-1515 · FAX: 860-674-8536

ebm-papst Inc., 100 Hyde Road, Farmington, CT 06034 USA

ebm-papst Inc., 2006 © ebm-papst Inc. reserves the right to change any specifications or data without notice