

RL90AC Series

Flatpak

121x121x37mm



- AC radial blower with external rotor shaded-pole motor. Impedance protected against overloading.

- Spiral housing and blower of fiberglass reinforced plastic. Housing base of galvanised steel plate.

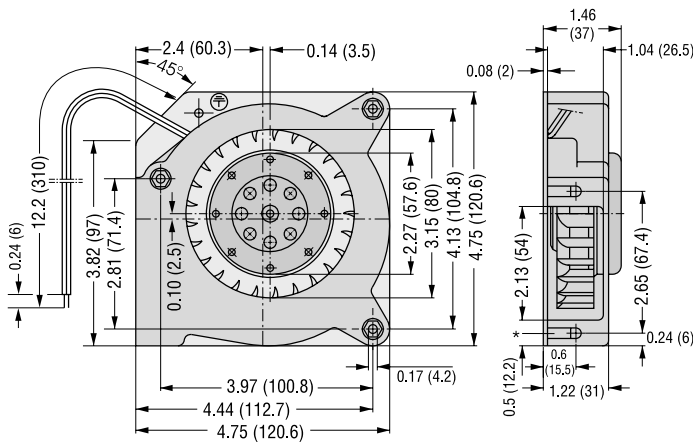
- Radial air exhaust through housing port. Rotational direction CW looking at rotor.

- Electrical connection via 2 leads. See below for AWG. Stripped and tinned ends.

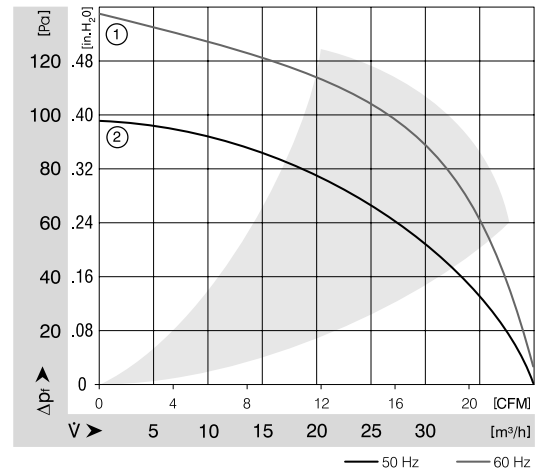
- UL, CSA, VDE approvals on most models, please contact application engineering.

Part Number	Curve	CFM @ 0	VAC	Hertz	Power (W)	dBA	Max Amb. Temp C	Bearing Type	Features	Wgt. (lbs)
RL90-18/00	1	24.7	115	60	19.5	60	60	Sleeve	Leads	1.50
RL90-18/06	1	24.7	115	60	19.5	60	85	Ball	Leads	1.50
RL90-18/50	2	23.5	230	50	20.0	60	50	Sleeve	Leads	1.50
RL90-18/56	2	23.5	230	50	20.0	60	70	Ball	Leads	1.50

Fan Type		Lead Wires
RL 90-18/50	RL 90-18/00	AWG 18, TR 32
RL 90-18/56	RL 90-18/06	AWG 22



*Speed nut M4 or 8-32UNC. Screw-in depth max.12.5 min 9,0



ebmpapst

e-mail: sales@us.ebmpapst.com · TEL: 860-674-1515 · FAX: 860-674-8536

ebm-papst Inc., 100 Hyde Road, Farmington, CT 06034 USA

ebm-papst Inc., 2006 © ebm-papst Inc. reserves the right to change any specifications or data without notice