

# 4400FN Series

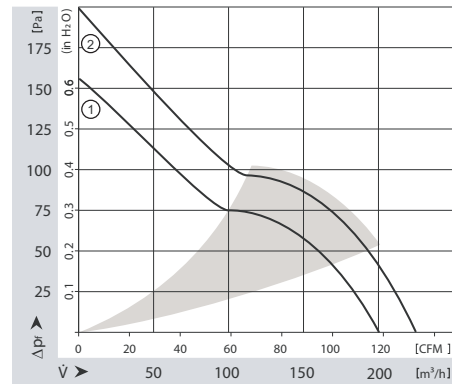
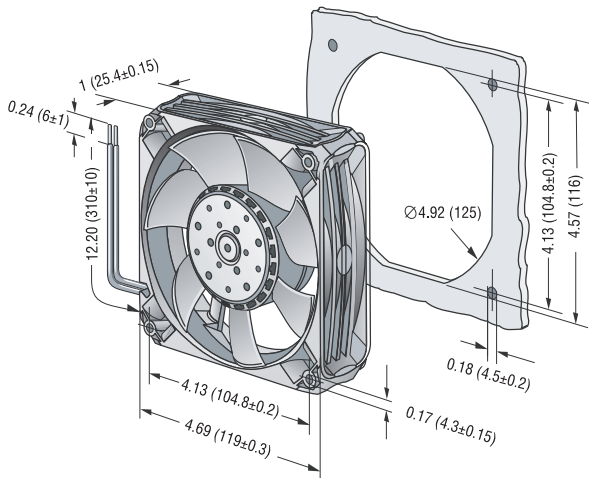
Tubeaxial

119x119x25mm



- DC fans with electronically commutated external rotor motor. Fully integrated commutation electronics.
- With electronic protection against reverse polarity, blocking and overloading by PTC-resistor partially impedance protected.
- Mounting from either face using four 4.3 mm holes.
- Fan of fiberglass reinforced plastic. PBTP housing, PA impeller.
- Air exhaust over struts. Rotational direction CCW looking at rotor.
- Electrical connection via 2 leads AWG 22, TR 64. Stripped and tinned ends.
- UL, CSA, VDE approvals on some models, please contact application engineering.

Part Number	Curve	CFM @ 0	VDC	Volt. Range	Power (W)	dBA	Max Amb. Temp C	Bearing Type	Features	Wgt. (lbs)
4412FNH	2	132.4	12	7 to 13	12.0	55	70	Ball	Leads	0.53
4414FNN	1	117.7	24	14 to 28	8.5	52	70	Ball	Leads	0.53
4414FNH	2	132.4	24	18 to 26	12.0	55	70	Ball	Leads	0.53
4418FNH	2	132.4	48	36 to 53	12.0	55	70	Ball	Leads	0.53



**ebmpapst**

e-mail: [sales@us.ebmpapst.com](mailto:sales@us.ebmpapst.com) · TEL: 860-674-1515 · FAX: 860-674-8536

ebm-papst Inc., 100 Hyde Road, Farmington, CT 06034 USA

ebm-papst Inc., 2009 © ebm-papst Inc. reserves the right to change any specifications or data without notice