

RER175DC Series Motorized Impeller

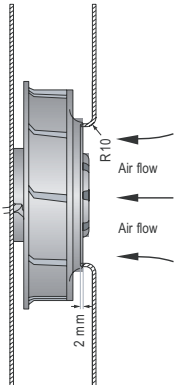
Ø 175 x 69mm - New S-Force Models



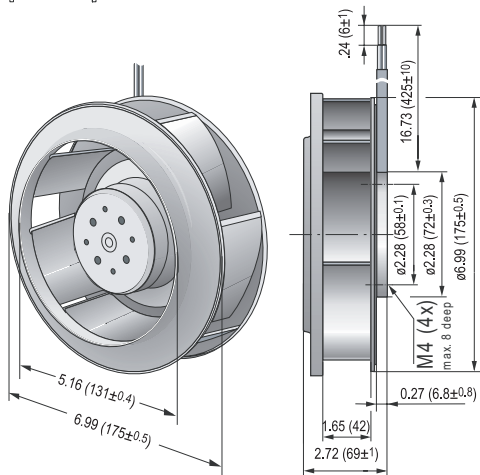
- 3-phase fan drive with high degree of smooth operation.
- High pressure build-up
- Backward-curved impeller
- Standard with PWM control input and speed signal, additional inputs and outputs on request.
- Fiberglass-reinforced plastic impeller
- Fully integrated electronic commutation
- Direction of rotation: CW as seen on rotor
- Direction of air flow: axial suction, radial air outlet
- Electrical connection via single leads AWG 20, TR 64, speed signal and control input AWG 22. Stripped and tinned ends

| Part Number | Curve | CFM @ 0 | VDC | Volt. Range | Power Input (W) | Bel | Max Amb. Temp C | Bearing Type | Features | Speed (RPM) | Wgt. (lbs) |
|---------------------|-------|---------|-----|-------------|-----------------|-----|-----------------|--------------|----------|-------------|------------|
| RER175-42/18/2TDMLP | 1 | 353.0 | 48 | 36 to 65 | 42 | tbd | 65 | Ball | Leads | 3400 | 1.71 |
| RER175-42/18/2TDP | 2 | 576.8 | 48 | 36 to 72 | 166 | 8.5 | 65 | Ball | Leads | 5400 | 1.71 |

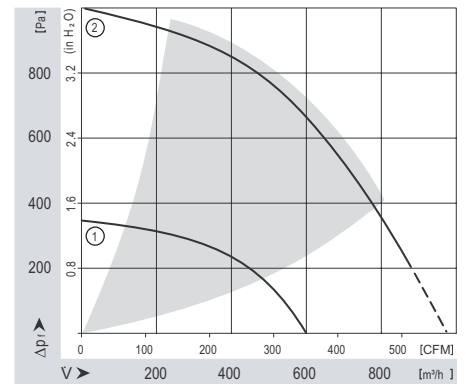
Speed control range from 800 rpm at 7% PWM up to rpm at > 90% PWM. Stationary at 0% PWM, maximum speed at interruption of control wire. Preliminary data, subject to alterations without notice.



The air flow and noise level of fans without external housing depends on the installation conditions. The stated air flow and noise has been measured under the following conditions:
 Centrifugal fan mounted on a base plate 180 x 180 mm.
 Cover plate 180 x 180 mm with an air-inlet of ø 125.5 mm, concentric to the blower wheel.



Short term operation at room temperature allowable in the dotted area of the performance curve only.



ebmpapst

e-mail: sales@us.ebmpapst.com · TEL: 860-674-1515 · FAX: 860-674-8536

ebm-papst Inc., 100 Hyde Road, Farmington, CT 06034 USA

ebm-papst Inc., 2009 © ebm-papst Inc. reserves the right to change any specifications or data without notice