

250 Series

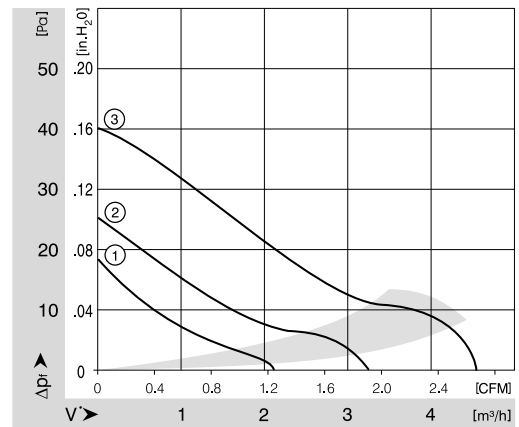
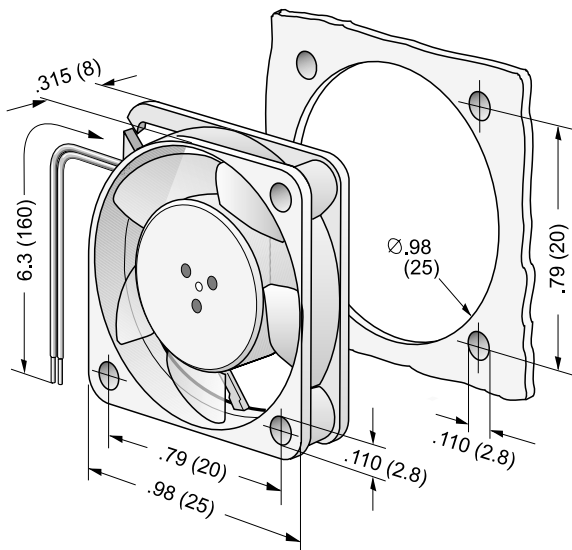
Tubeaxial

25x25x8mm



- DC micro-fans with electronically commutated external rotor motor. Fully integrated commutation electronics.
- With electronic protection against reverse polarity. The fan only operates when the polarity is correct. Impedance-protected against blocking and overloading.
- Mounting from either face using four 2.8 mm holes.
- Fan of fiberglass reinforced plastic. PBT housing, PA impeller.
- Air exhaust over struts. Rotational direction CCW looking at rotor.
- Electrical connection via 2 leads AWG 28. Stripped and tinned ends.
- UL, CSA, VDE approvals on most models, please contact application engineering.

Part Number	Curve	CFM @ 0	VDC	Volt. Range	Power (W)	dBA	Max. Amb. Temp C	Bearing Type	Speed (RPM)	Features	Wgt. (lbs)
255M	1	1.2	5	4.5 to 5.5	0.2	5	70	Sintec	6000	Leads	0.01
255N	2	1.9	5	4.5 to 5.5	0.4	15	70	Sintec	600	Leads	0.01
255H	3	2.6	5	4.5 to 5.5	0.6	23	55	Sintec	12000	Leads	0.01
252N	2	1.9	12	10 to 14	0.5	15	70	Sintec	600	Leads	0.01



ebmpapst

e-mail: sales@us.ebmpapst.com · TEL: 860-674-1515 · FAX: 860-674-8536

ebm-papst Inc., 100 Hyde Road, Farmington, CT 06034 USA

ebm-papst Inc., 2006 © ebm-papst Inc. reserves the right to change any specifications or data without notice