

5900 Series

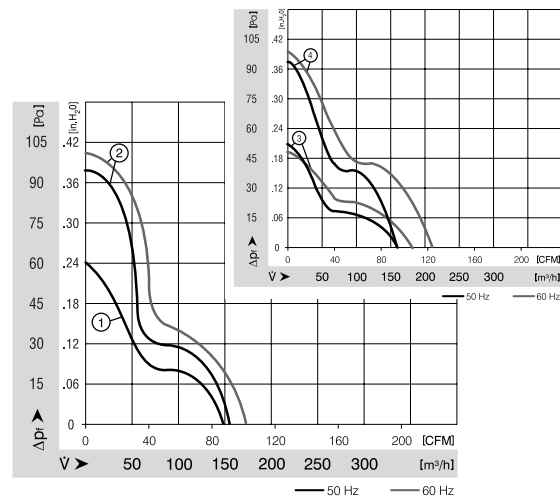
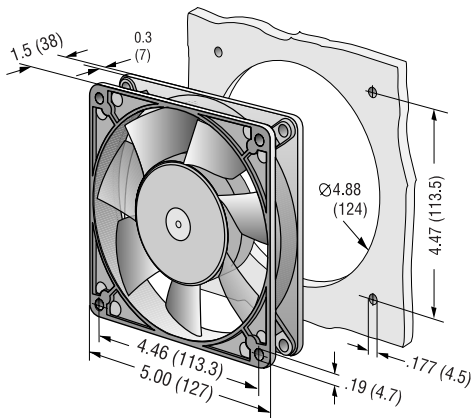
Tubeaxial

127x127x38mm



- AC fans with external rotor shaded-pole motor. Impedance protected against overloading.
- Metal fan housing, impeller of mineral-reinforced plastic PA.
- Air exhaust over struts. Rotational direction CCW looking at rotor.
- Mounting from either face using four 4.7 mm holes.
- Electrical connection via 2 flat pins 2.8 x 0.5 mm.
- Fan housing with ground lug for screw M 4x6 DIN 7500-C.
- UL, CSA, VDE approvals on some models, please contact application engineering.
- Available on request:
Electrical connection via 2 single leads.

Part Number	Curve	CFM @ Δ	VAC	Hertz	Power (W)	dBA	Max Amb. Temp C	Bearing Type	Features	Wgt. (lbs)
5938	2	95.3	115	50/60	12	39	55	Ball	Terminals	1.25
5938-118	3	105.9	115	50/60	14	41	65	Ball	Terminals	1.25
5930-507	3	105.9	115	50/60	14	41	55	Sintec	Terminals	1.25
5900	4	121.2	115	50/60	17	46	55	Sintec	Terminals	1.25
5908	4	121.2	115	50/60	17	47	75	Ball	Terminals	1.25
5908W-104	4	121.2	115	50/60	17	47	75	Ball	Leads	1.25
5900W-504	4	121.2	115	50/60	17	47	75	Sintec	Leads	1.25
5908-105	4	121.2	115	50/60	17	47	75	Ball	Terminals	1.25
5900-505	4	121.2	115	50/60	17	47	75	Sintec	Terminals	1.25
5988	1	88.3	230	50/60	12	39	55	Ball	Terminals	1.25
5950	3	105.9	230	50/60	17	46	55	Sintec	Terminals	1.25
5958	3	105.9	230	50/60	17	47	60	Ball	Terminals	1.25
5980-508	3	105.9	230	50/60	14	41	55	Sintec	Terminals	1.25
5958W-100	4	121.2	230	50/60	17	47	75	Ball	Leads	1.25
5950W-502	4	121.2	230	50/60	17	47	75	Sintec	Leads	1.25
5950-503	4	121.2	230	50/60	17	47	75	Ball	Terminals	1.25
5958-102	4	121.2	230	50/60	17	47	75	Ball	Terminals	1.25



ebmpapst

e-mail: sales@us.ebmpapst.com · TEL: 860-674-1515 · FAX: 860-674-8536

ebm-papst Inc., 100 Hyde Road, Farmington, CT 06034 USA

ebm-papst Inc., 2006 © ebm-papst Inc. reserves the right to change any specifications or data without notice