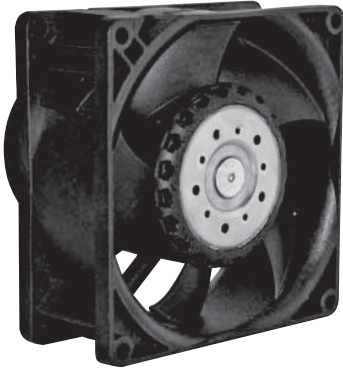


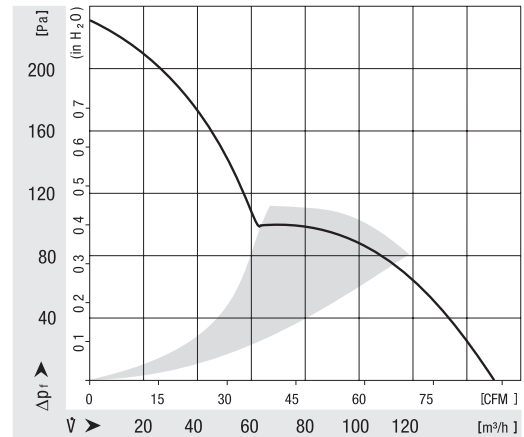
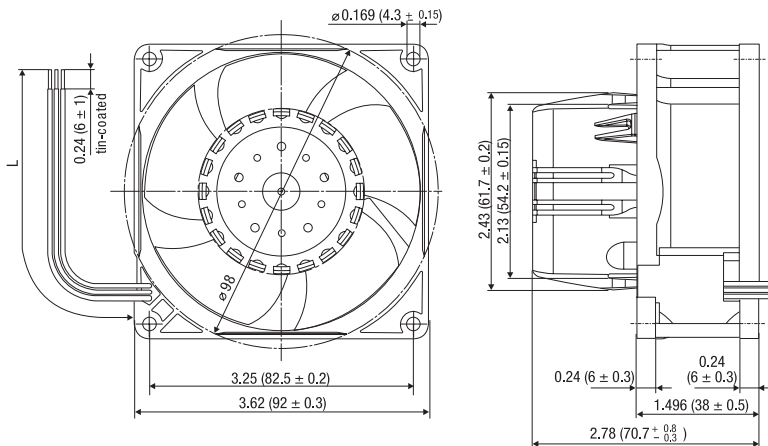
AC3200JH Series Tubeaxial

92 mm - ACmaxx



- Introducing an extension of our AC product line, the ACmaxx offers a wide input voltage, high efficiency and reliability.
- Plastic fan housing and impeller.
- Speed control, tachometer / alarm signals are available.
- External rotor motor with completely integrated drive and control electronics.
- Mounting from either face using four 4.3 mm holes.
- Safety UL; CSA; VDE; CCC; CE

Part Number	Curve	CFM @ 0	Nominal VAC	Volt. Range	Hertz	Power (W)	dBa	Max Amb. Temp. C	Bearing Type	Speed (RPM)	Features	Wgt. (lbs)
AC3200JH	1	86	115 / 230	85 ... 265	50 / 60	11	55	70	Ball	6800	Leads	0.76



ebmpapst

e-mail: sales@us.ebmpapst.com · TEL: 860-674-1515 · FAX: 860-674-8536

ebm-papst Inc., 100 Hyde Road, Farmington, CT 06034 USA

ebm-papst Inc., 2006 © ebm-papst Inc. reserves the right to change any specifications or data without notice