

9900 Series

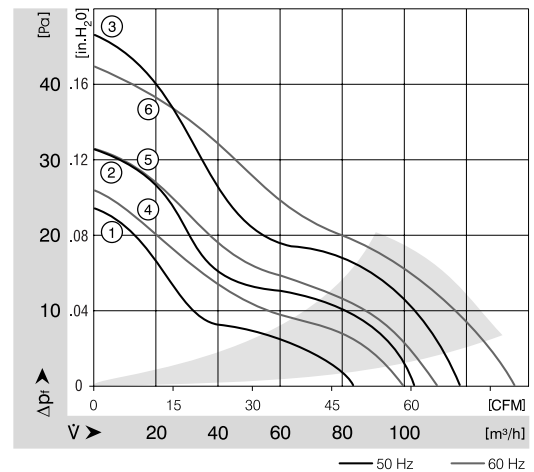
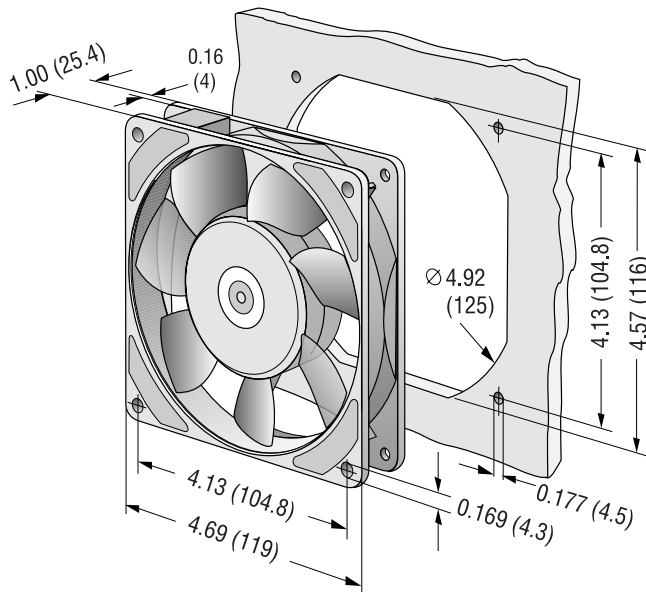
Tubeaxial

119x119x25mm



- AC fans with internal rotor shaded-pole motor. Impedance protected against overloading.
- Metal fan housing, impeller of mineral-reinforced plastic PA.
- Air exhaust over struts. Rotational direction CCW looking at rotor.
- Mounting from either face using four 4.3 mm holes.
- Electrical connection via 2 flat pins 2.8 x 0.5 mm.
- Fan housing with ground lug for screw M4.
- UL, CSA, VDE approvals on some models, please contact application engineering.

Part Number	Curve	CFM @ 0	VAC	Hertz	Power (W)	dBA	Max. Amb. Temp C	Bearing Type	Speed (RPM)	Features	Wgt. (lbs)
9956L	1	49.4	230	50	9.5	29.5	80	Ball	1850	Terminals	0.72
9956M	2	61.2	230	50	10.0	35.5	80	Ball	2250	Terminals	0.72
9950	3	68.9	230	50	14.0	37.0	70	Sintec	2450	Terminals	0.72
9956	3	68.9	230	50	14.0	37.0	70	Ball	2450	Terminals	0.72
9906L	4	58.9	115	60	8.0	34.5	80	Ball	2100	Terminals	0.72
9906M	5	65.3	115	60	8.0	37.0	80	Ball	2450	Terminals	0.72
9900	6	79.5	115	60	12.0	42.0	70	Sintec	2850	Terminals	0.72
9906	6	79.5	115	60	12.0	42.0	70	Ball	2850	Terminals	0.72



ebmpapst

e-mail: sales@us.ebmpapst.com · TEL: 860-674-1515 · FAX: 860-674-8536

ebm-papst Inc., 100 Hyde Road, Farmington, CT 06034 USA

ebm-papst Inc., 2006 © ebm-papst Inc. reserves the right to change any specifications or data without notice