

2200 FTD Series Tubeaxial

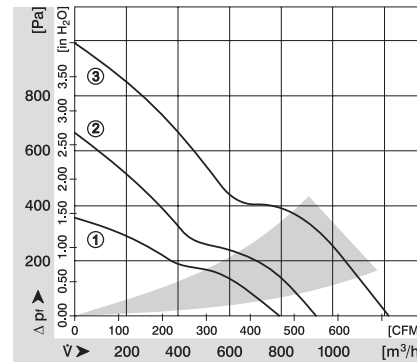
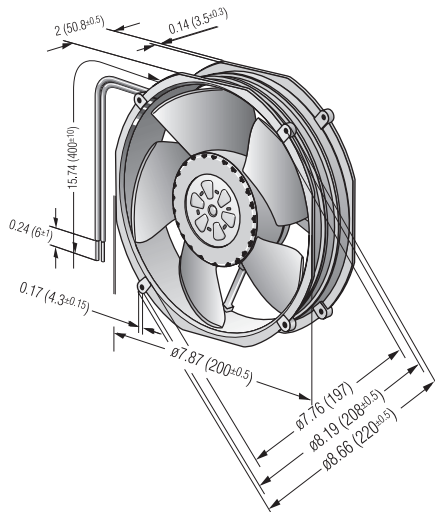
ø 200 x 51mm S-Force



- DC fans with electronically commutated external rotor motor. Fully integrated commutation electronics.
- With electronic protection against reverse polarity.
- Standard with speed signal and PWM (P) or 0-10VDC / PWM (0) speed control.
- Aluminum housing, fiberglass reinforced PA impeller; housing with grounding lug for screw M4 x 8.
- Air exhaust over struts. Rotational direction CCW looking at rotor.
- Electrical connection via single leads AWG 20, stripped and tinned ends.
- UL, CSA, VDE approvals on most models, please contact application engineering.

Part Number	Curve	CFM @ 0	VDC	Volt. Range	Power (W)	dba	Max. Amb. Temp. C	Bearing Type	Features	Wgt. (lbs)
2214F/2TDH0	1	464.7	24	16 to 30	41	62	75	Ball	Leads	2.20
2214F/2TDHH0	2	552.9	24	16 to 30	54	66	70	Ball	Leads	2.20
2218F/2TDH0	1	464.7	48	36 to 57	41	62	75	Ball	Leads	2.20
2218F/2TDHH0	2	552.9	48	36 to 72	54	66	70	Ball	Leads	2.20
2218F/2TDH4P	3	717.6	48	36 to 72	103	72	65	Ball	Leads	2.20

Speed control range from 1000 min⁻¹ up to maximum nominal speed. Stationary at 0% PWM / 0 V, Typ 0: stationary when no sensor is connected; Typ P: maximum speed when no sensor is connected.



ebmpapst

e-mail: sales@us.ebmpapst.com · TEL: 860-674-1515 · FAX: 860-674-8536

ebm-papst Inc., 100 Hyde Road, Farmington, CT 06034 USA

ebm-papst Inc., 2010 © ebm-papst Inc. reserves the right to change any specifications or data without notice