

Instrument Case - Polystyrene (1598 Series)

Plastic

Molded in P.C. card standoffs and vertical card guides...

Positive fit, tongue & groove construction requires only two mounting screws...

Complete with four rubber feet and hardware...

Two models available, one with easy to modify ABS black plastic or the other with strong aluminum end panels...

OTHER KEY FEATURES

- Modern low profile designed instrument enclosure.
- Two sets of vertical 1.5 mm (0.062") P.C. board guides are molded into case halves, front and rear.
- Molded in economical matte textured grey polystyrene.
- Easy access to interior via shell type construction.
- Designed to meet IP54.
- Integral horizontal P.C. card mounts on Eurocard centers.

ACCESSORIES



Replacement Screws

Self-tapping type, used in polystyrene 1598 series (ie...no brass inserts). # 4 x 5/8" (15.9 mm)
1598TS100 - Package of 100



Nylon Circuit Board Standoffs

Self adhesive pad allows placement anywhere in the enclosure.
1598ZPC25 - Package of 25
1598ZPC100 - Package of 100



Replacement Plastic End Panels (Black)

Molded from black fire retardant ABS plastic. Part contains both front & back panel.

1598PLABK - Use with 1598A
1598PLBBK - Use with 1598B
1598PLBBBK - Use with 1598BB
1598PLCBK - Use with 1598C
1598PLDBK - Use with 1598D
1598PLEBK - Use with 1598E
1598PLFBK - Use with 1598F
1598PLGBK - Use with 1598G
1598PLHBK - Use with 1598H
1598PLJBK - Use with 1598J



P.C. Board Screws

Self-tapping type, used for bosses in the 1598 series for P.C. board installation. # 6 x 1/4" (6.4 mm)
1598ATS100 - Package of 100



Tilt Handles

Used as a tilt handle and/or bail - 8 detent positions.
1598TH1 - Use with 1598C,E,F & G
1598TH2 - Use with 1598D, H & J

44



CANADA

Guelph, Ontario (519) 822-2960
St. Laurent, Quebec (514) 343-9010

USA

Cheektowaga, NY (716) 651-0086



EUROPE

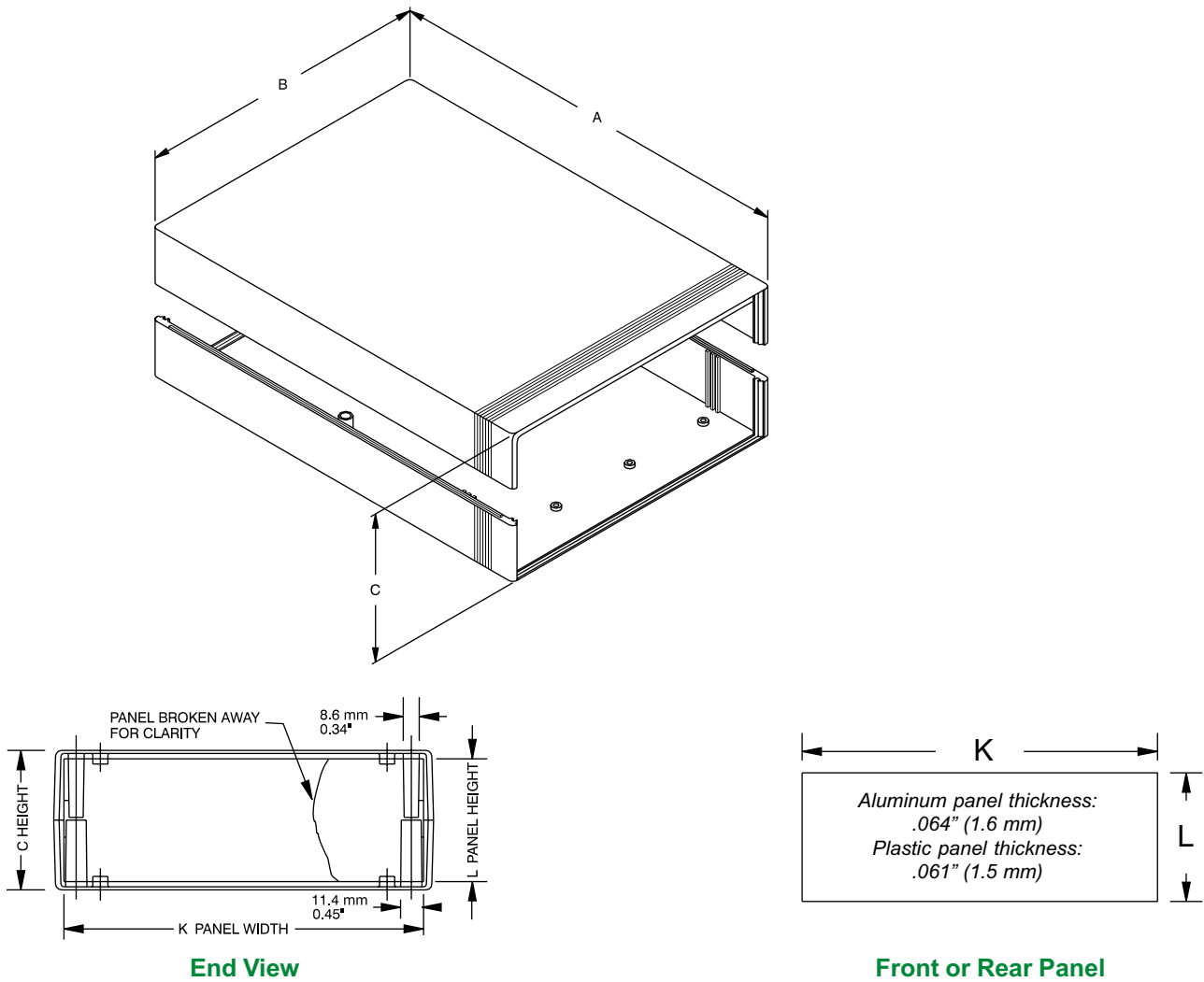
Basingstoke, UK +44 1256 812812

AUSTRALASIA

Queenstown, SA, Australia +61 8 8240 2244

Instrument Case - Polystyrene (1598 Series)

Plastic



End View

Front or Rear Panel

Part Number		Units	Dimensions			Panel Size	
Grey enclosure with metal panels	Grey enclosure with black plastic panels		A	B	C	K	L
1598BSGY	1598BSGYPBK	inch mm	5.28 134	5.31 135	1.96 50	5.04 128	1.77 45
1598ASGY	1598ASGYPBK	inch mm	6.18 157	3.70 94	1.42 36	3.39 86	1.06 27
1598ESGY	1598ESGYPBK	inch mm	6.30 160	6.30 160	3.38 86	5.98 152	3.11 79
1598BBSGY	1598BBSGYPBK	inch mm	7.05 179	6.06 154	1.42 36	5.75 146	1.14 29
1598CSGY	1598CSGYPBK	inch mm	7.09 180	6.10 155	2.04 52	5.71 145	1.81 46
1598DSGY	1598DSGYPBK	inch mm	7.09 180	8.11 206	2.52 64	7.80 198	2.28 58
1598FSGY	1598FSGYPBK	inch mm	9.84 250	6.30 160	1.58 40	5.98 152	1.38 35
1598GSYG	1598GSYGYPBK	inch mm	9.84 250	6.30 160	3.00 76	5.98 152	2.72 69
1598HSGY	1598HSGYPBK	inch mm	11.02 280	7.87 200	1.58 40	7.56 192	1.38 35
1598JSGY	1598JSGYPBK	inch mm	11.02 280	7.87 200	3.00 76	7.56 192	2.72 69

NOTES: - Average top & bottom wall thickness: 0.125" (3.2 mm)
 - Average side wall thickness: 0.18" (4.5 mm)



CANADA
 Guelph, Ontario (519) 822-2960
 St. Laurent, Quebec (514) 343-9010
USA
 Cheektowaga, NY (716) 651-0086

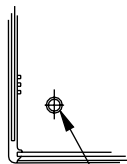
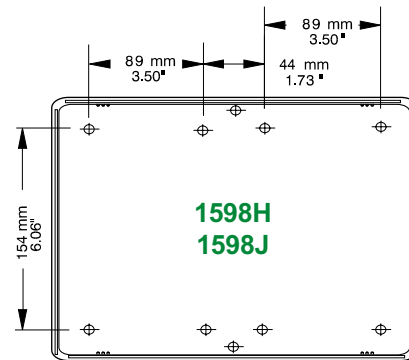
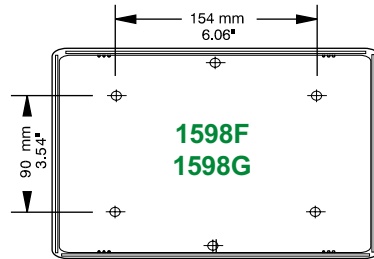
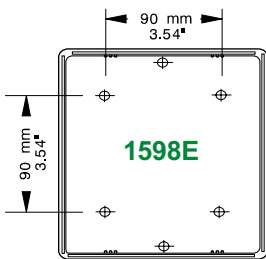
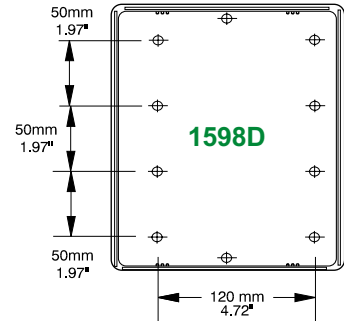
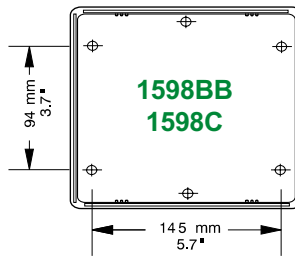
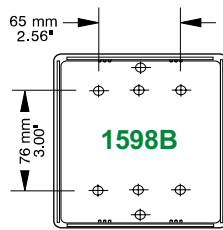
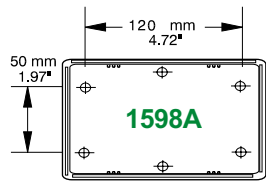


EUROPE
 Basingstoke, UK +44 1256 812812

AUSTRALASIA
 Queenstown, SA, Australia +61 8 8240 2244

1598 Series Drawings

Plastic



POST 3 mm I/S .12" I/S
8 mm DIA O/S .32" DIA O/S

P.C. Board Standoff Detail

For detailed drawings, CAD files and color photos visit our website at:
www.hammondmg.com

