

TK 1809 – Polystyrene and Polycarbonate – 180x94mm (7.09x3.70in.)

Standard Features

- **Protection Level:** IP66 (NEMA 4X)
- **Technical:** Smooth or Knockout Sidewalls
Gray or Tinted Transparent Cover ^①
Multiple Enclosure Mounting Options
- **Enclosure Material:** Polystyrene or Polycarbonate
- **Gasket Material:** Polyurethane
- **Color:** Light Gray
- **Temperature Range:** Polystyrene
-40°C to 70°C (-40°F to 158°F)
Polycarbonate
-35°C to 120°C (-31°F to 248°F)
- **Accessories:** See section below



Smooth Sidewalls

| Ordering Information | Height mm (in) | Polystyrene | | | | Polycarbonate | | | |
|------------------------|-----------------|-------------|--------------|-------------|----------|---------------|--------------|-------------|----------|
| | | Cat. No. | Type | Cover Color | Std. Pk. | Cat. No. | Type | Cover Color | Std. Pk. |
| Enclosure - low cover | 57 mm (2.24 in) | 110-410 | PS 1809-6-o | gray | 2 | 120-410 | PC 1809-6-o | gray | 2 |
| Enclosure - high cover | 81 mm (3.19 in) | 110-910 | PS 1809-8-o | gray | 2 | 120-910 | PC 1809-8-o | gray | 2 |
| Enclosure - low cover | 57 mm (2.24 in) | 111-010 | PS 1809-6-to | trans. | 2 | 130-010 | PC 1809-6-to | trans. | 2 |
| Enclosure - high cover | 81 mm (3.19 in) | 111-510 | PS 1809-8-to | trans. | 2 | 130-510 | PC 1809-8-to | trans. | 2 |

Sidewalls with PG Knockouts (metric available)

| Ordering Information | Height mm (in) | Polystyrene | | | | Polycarbonate | | | |
|------------------------|-----------------|-------------|-------------|-------------|----------|---------------|-------------|-------------|----------|
| | | Cat. No. | Type | Cover Color | Std. Pk. | Cat. No. | Type | Cover Color | Std. Pk. |
| Enclosure - low cover | 57 mm (2.24 in) | 115-410 | PS 1809-6 | gray | 2 | 125-410 | PC 1809-6 | gray | 2 |
| Enclosure - high cover | 81 mm (3.19 in) | 115-910 | PS 1809-8 | gray | 2 | 125-910 | PC 1809-8 | gray | 2 |
| Enclosure - low cover | 57 mm (2.24 in) | 116-010 | PS 1809-6-t | trans. | 2 | 135-010 | PC 1809-6-t | trans. | 2 |
| Enclosure - high cover | 81 mm (3.19 in) | 116-510 | PS 1809-8-t | trans. | 2 | 135-510 | PC 1809-8-t | trans. | 2 |

RK Enclosures with Terminal Blocks

| Ordering Information | Height | Cat. No. | Type | Cover Color | Std. Pk. |
|-------------------------------------|-----------------|----------|--------|-------------|----------|
| Enclosure - 22 pole/12 AWG Terminal | 57 mm (2.24 in) | 614-404 | RK1809 | gray | 2 |
| Enclosure - DIN Rail only (TS15) | 57 mm (2.24 in) | 614-906 | RK1809 | gray | 2 |

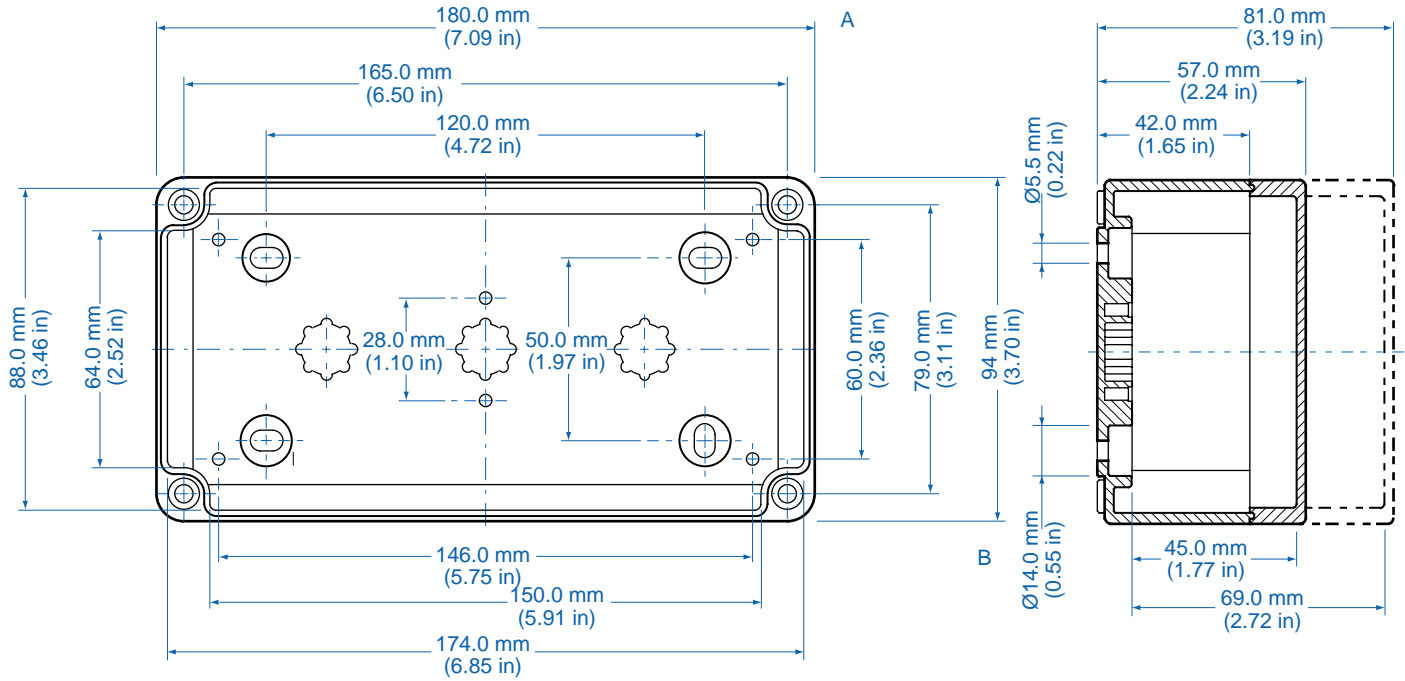
Accessories

| Ordering Information | Cat. No. | Type | Std. Pk. |
|----------------------|----------|-----------|----------|
| Mounting Plate | 195-010 | MP1809 | 1 |
| DIN Rail TS35-144mm | Z-655 | TS 35/144 | 1 |
| DIN Rail TS15-154mm | Z-636 | TS 15/154 | 1 |
| Hinge Kit Set | 190-002 | HK1 | 1 |
| Mounting Tab Kit | 194-001 | MT1 | 1 |

Please refer to pages 106-113 for additional accessories and detailed information.

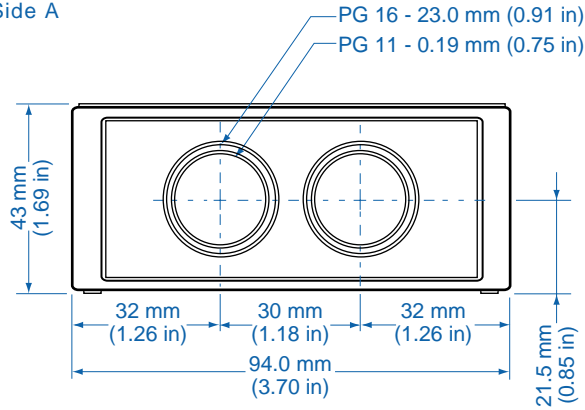
^① Clear transparent lids available upon request

Dimensions

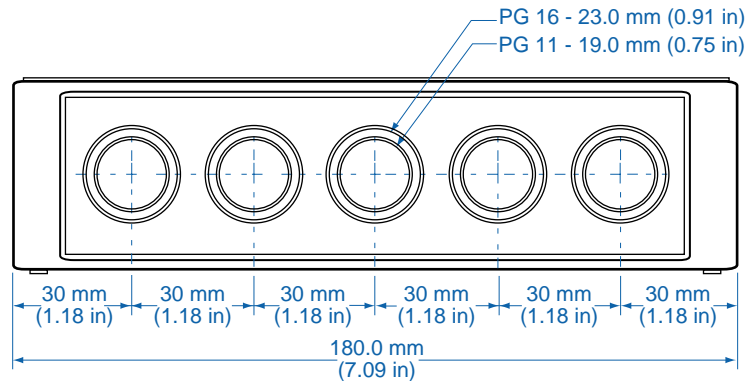


Knockout Positions [®]

Side A



Side B



[®] Metric knockouts available upon request