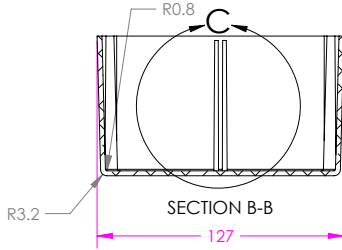
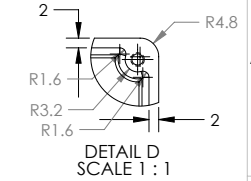
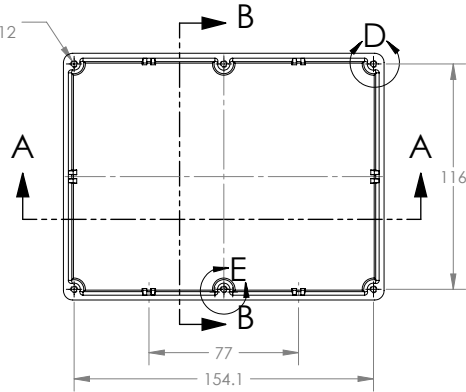


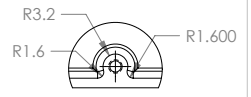
DETAIL C  
SCALE 1 : 1



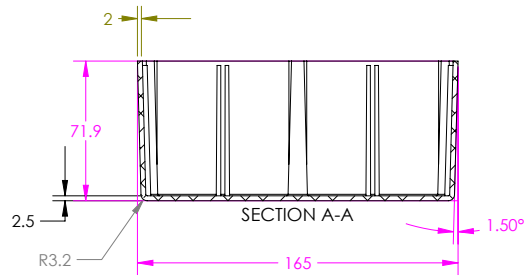
6x  $\varnothing 2.9 \nabla 13$   
M3.5x0.6 - 6H  $\nabla 12$



DETAIL D  
SCALE 1 : 1



DETAIL E  
SCALE 1 : 1



	GENERAL PURPOSE		
SIZE	PLAIN	POWDER COATED	NYLON COATED
L	459-0110	461-0110	462-0110
<b>SEALED</b>			
L	460-0110	453-0110	454-0110

Tel No. +44(0)1724273200 Website www.dem-uk.com



**PROPRIETARY AND CONFIDENTIAL**  
THE INFORMATION CONTAINED IN THIS DRAWING IS THE SOLE PROPERTY OF ALPHA 3 MANUFACTURING. ANY REPRODUCTION IN PART OR AS A WHOLE WITHOUT THE WRITTEN PERMISSION OF ALPHA 3 MANUFACTURING IS PROHIBITED.

DEM Manufacturing, Deltron Emicon House  
Hargreaves Way, Sawcliffe Ind. Park,  
Scunthorpe, North Lincolnshire, DN15 8PF, UK

UNLESS OTHERWISE SPECIFIED:  
DIMENSIONS ARE IN MILLIMETRES  
LINEAR TOLERANCE:  
**NO DECIMAL PLACES ±0.5mm**  
**1 DECIMAL PLACE ±0.25mm**  
**2 DECIMAL PLACES ±0.125mm**  
ANGULAR TOLERANCE: ±1°

FINISH

·

DEBURR AND  
BREAK SHARP  
EDGES

DRAWN BY

·

APPROVED BY

·

BASED ANGLE PROJECTION

B.SILLENCE

·

SHEET 1 OF 1

SCALE 1:2

A3

TITLE  
**PROCUREMENT SPECIFICATION  
FOR  
'L' SIZE DIECAST BOX**

DRAWING NO.

L BOX

ISSUE

01

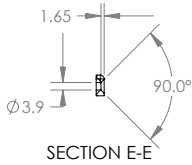
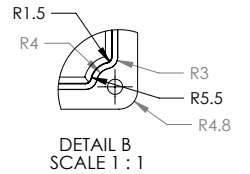
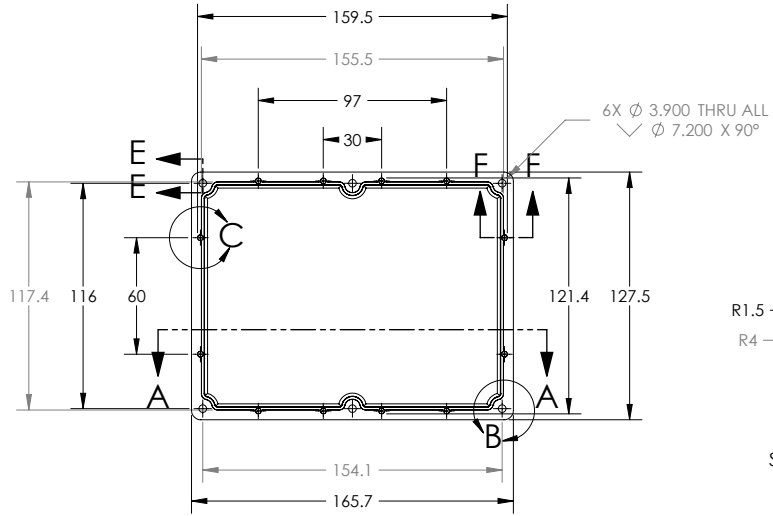
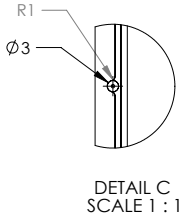
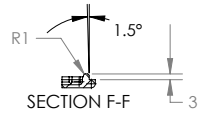
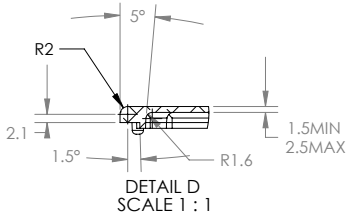
Release

MATERIAL

DieCast Aluminium Alloy

IF IN DOUBT ASK  
DO NOT SCALE DRAWING

REV	CHG	CHG DESCRIPTION	Date	Check in
1		CHANGE FROM 4.8mm	11/05/2015	Paul Barton
2		CHANGE FROM 4.8mm	17/05/2015	Paul Barton



Tel No. +44(0)1724273200 Website www.dem-uk.com



PROPRIETARY AND CONFIDENTIAL  
THE INFORMATION CONTAINED IN THIS DRAWING IS THE SOLE PROPERTY OF  
ALPHA 3 MANUFACTURING  
ANY REPRODUCTION IN PART OR AS A WHOLE WITHOUT THE WRITTEN  
PERMISSION OF  
ALPHA 3 MANUFACTURING IS PROHIBITED.

DEM Manufacturing, Deltron Emicon House  
Hagreaves Way, Sawcliffe Ind. Park,  
Scunthorpe, North Lincolnshire, DN15 8PF, UK

UNLESS OTHERWISE SPECIFIED:  
DIMENSIONS ARE IN MILLIMETRES  
LINEAR TOLERANCE:  
NO DECIMAL PLACES  $\pm 0.5\text{mm}$   
1 DECIMAL PLACE  $\pm 0.25\text{mm}$   
2 DECIMAL PLACES  $\pm 0.125\text{mm}$   
ANGULAR TOLERANCE:  $\pm 1^\circ$

FINISH	-	DEBURR AND BREAK SHARP EDGES
MATERIAL	DieCast Aluminium Alloy	

DRAWN BY	B.SILLENCE
APPROVED BY	B.SILLENCE
SHEET 1 OF 1	
SCALE 1:2	
A3	

TITLE		PROCUREMENT SPECIFICATION FOR 'L' SIZE BOX LID	
DRAWING NO.		L LID	ISSUE 04
			Release