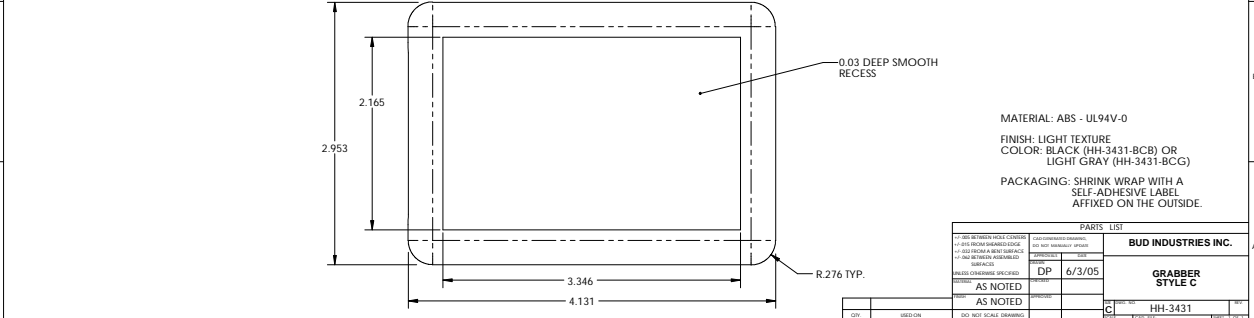
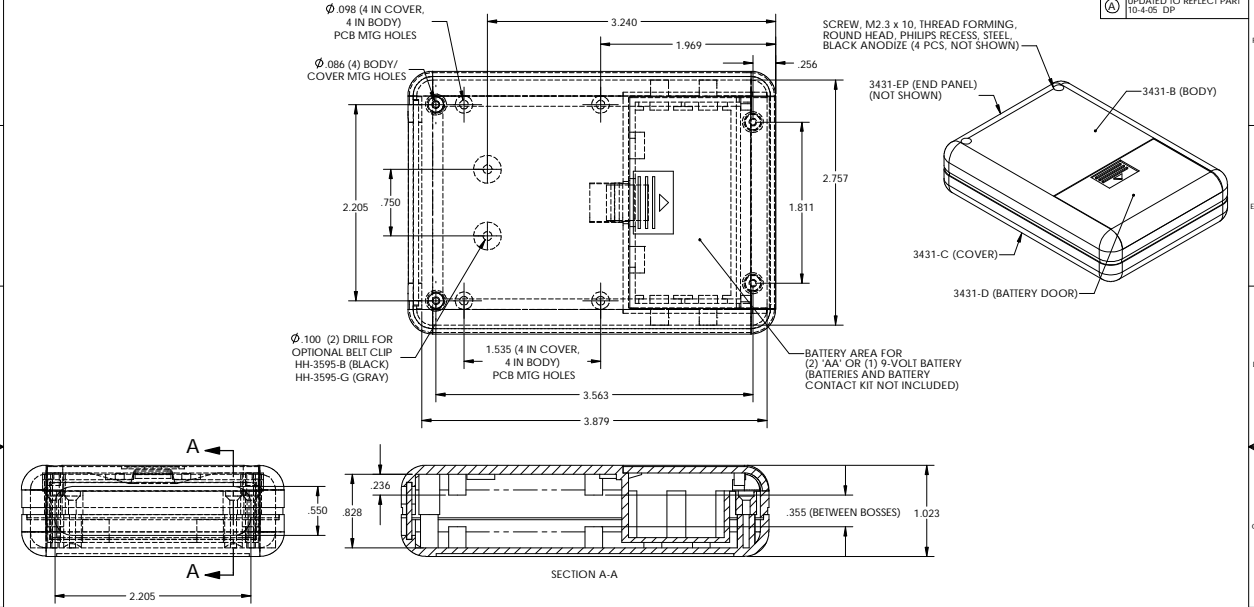


THE INFORMATION CONTAINED IN THIS DRAWING IS THE SOLE PROPERTY OF BUD INDUSTRIES INC. ANY REPRODUCTION IN PART OR WHOLE WITHOUT THE WRITTEN PERMISSION OF BUD INDUSTRIES INC. IS PROHIBITED.

ISSUE	HH-3431
REVISIONS	
(A)	UPDATED TO REFLECT PART 10-4-05 DP



MATERIAL: ABS - UL94V-0
 FINISH: LIGHT TEXTURE
 COLOR: BLACK (HH-3431-BCB) OR LIGHT GRAY (HH-3431-BCG)
 PACKAGING: SHRINK WRAP WITH A SELF-ADHESIVE LABEL AFFIXED ON THE OUTSIDE.

PARTS LIST	
QTY	DESCRIPTION
1	BUD INDUSTRIES INC. GRABBER STYLE C HH-3431