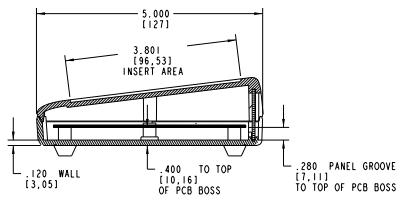
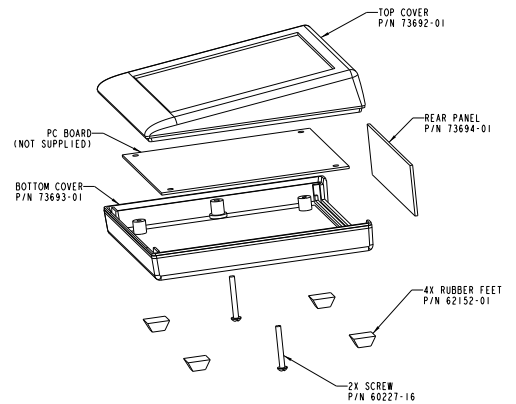
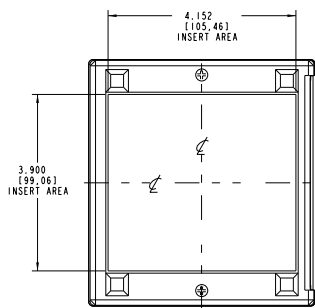
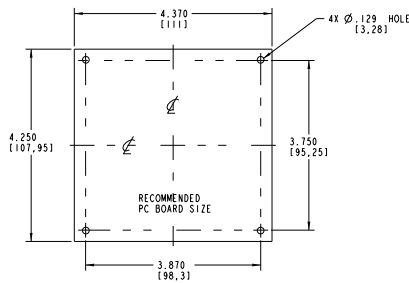


REAR PANEL SIZE



SECTION A-A



PACINTEC®
1-610-361-4200

KEU-5LP

VISIT **PACINTEC®**
ON THE WORLD WIDE WEB
www.pacintecenclosures.com

COLOR / MATERIAL CODE	
COLOR	94HB 94VO
BLACK	000 028
P.C. BONE	039 060

DRAWING NUMBER	REV
73695	E