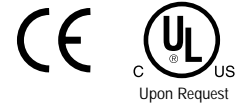


TK 1111 – Polystyrene and Polycarbonate – 110x110mm (4.33x4.33in.)

Standard Features

- **Protection Level:** IP66 (NEMA 4X)
- **Technical:** Smooth or Knockout Sidewalls
Gray or Tinted Transparent Cover ^①
Multiple Enclosure Mounting Options
- **Enclosure Material:** Polystyrene or Polycarbonate
- **Gasket Material:** Polyurethane
- **Color:** Light Gray
- **Temperature Range:** Polystyrene
-40°C to 70°C (-40°F to 158°F)
Polycarbonate
-35°C to 120°C (-31°F to 248°F)
- **Accessories:** See section below



Smooth Sidewalls

Ordering Information	Height mm (in)	Polystyrene					Polycarbonate			
		Cat. No.	Type	Cover Color	Std. Pk.	Cat. No.	Type	Cover Color	Std. Pk.	
☐ Enclosure - low cover	66 mm (2.60 in)	110-404	PS 1111-7-o	gray	3	120-404	PC 1111-7-o	gray	3	
☐ Enclosure - high cover	90 mm (3.54 in)	110-904	PS 1111-9-o	gray	3	120-904	PC 1111-9-o	gray	3	
☐ Enclosure - low cover	66 mm (2.60 in)	111-004	PS 1111-7-to	trans.	3	130-004	PC 1111-7-to	trans.	3	
☐ Enclosure - high cover	90 mm (3.54 in)	111-504	PS 1111-9-to	trans.	3	130-504	PC 1111-9-to	trans.	3	

Sidewalls with PG Knockouts (metric available)

Ordering Information	Height mm (in)	Polystyrene					Polycarbonate			
		Cat. No.	Type	Cover Color	Std. Pk.	Cat. No.	Type	Cover Color	Std. Pk.	
☐ Enclosure - low cover	66 mm (2.60 in)	115-404	PS 1111-7	gray	3	125-404	PC 1111-7	gray	3	
☐ Enclosure - high cover	90 mm (3.54 in)	115-904	PS 1111-9	gray	3	125-904	PC 1111-9	gray	3	
☐ Enclosure - low cover	66 mm (2.60 in)	116-004	PS 1111-7-t	trans.	3	135-004	PC 1111-7-t	trans.	3	
☐ Enclosure - high cover	90 mm (3.54 in)	116-504	PS 1111-9-t	trans.	3	135-504	PC 1111-9-t	trans.	3	

RK Enclosures with Terminal Blocks

Ordering Information	Height	Cat. No.	Type	Cover Color	Std. Pk.
Enclosure - 10 pole/10 AWG Terminal	66 mm (2.60 in)	609-404	RK1111	gray	3
Enclosure - 12 pole/12 AWG Terminal	66 mm (2.60 in)	610-404	RK1111	gray	3
Enclosure - DIN Rail only (TS35)	66 mm (2.60 in)	610-906	RK1111	gray	3

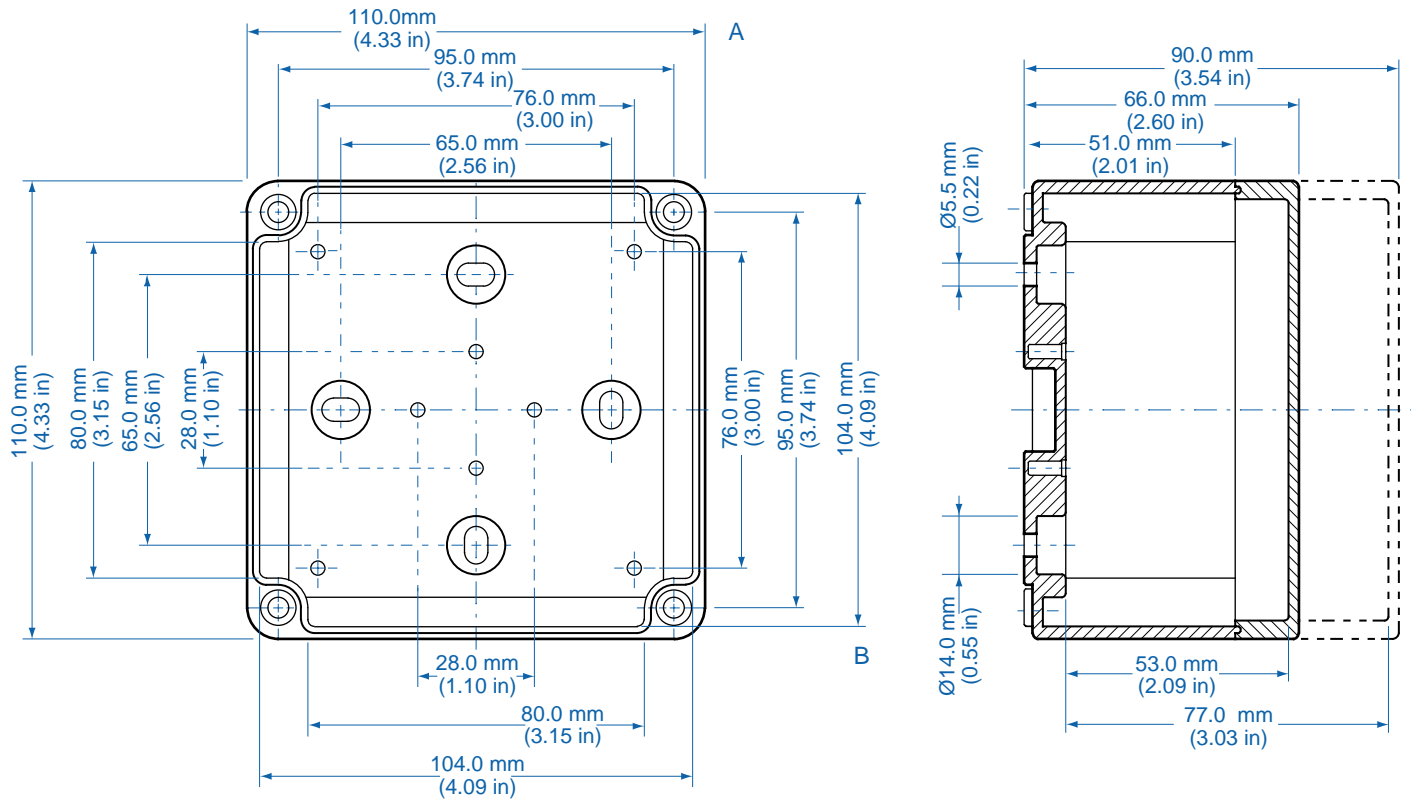
Accessories

Ordering Information	Cat. No.	Type	Std. Pk.
Mounting Plate	195-004	MP1111	1
DIN Rail TS35-81mm	Z-650	TS 35/81	1
DIN Rail TS15-92mm	Z-631	TS 15/92	1
Hinge Kit Set	190-002	HK1	1
Mounting Tab Kit	194-001	MT1	1

Please refer to pages 106-113 for additional accessories and detailed information.

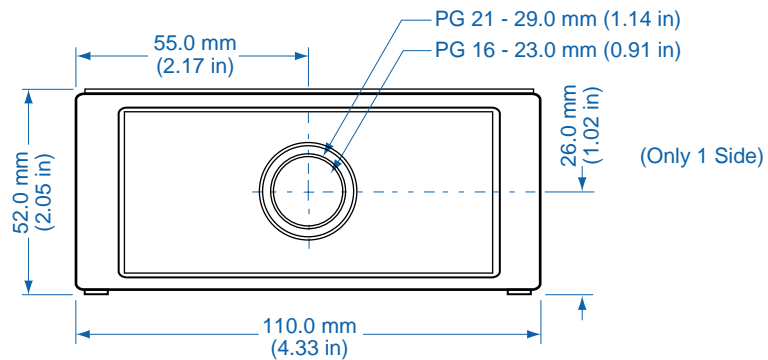
^① Clear transparent lids available upon request

Dimensions

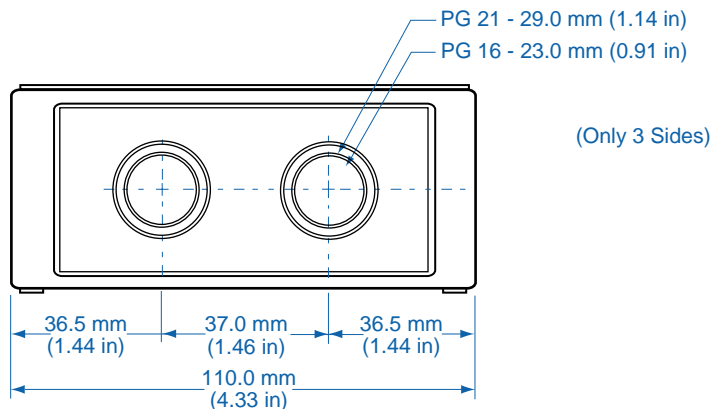


Knockout Positions [®]

Side A



Side B



[®] Metric knockouts available upon request