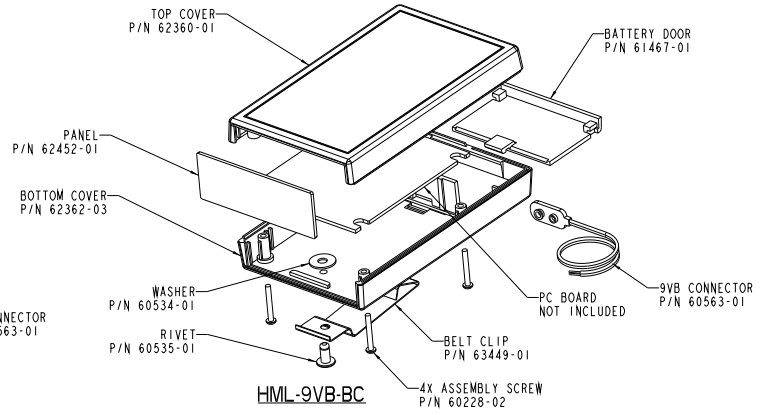
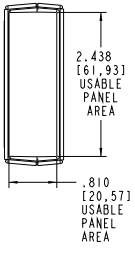
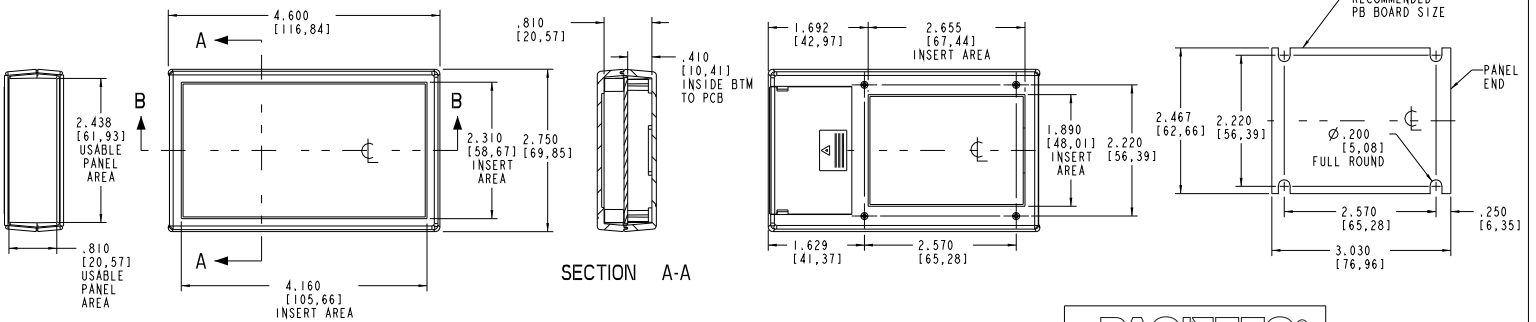


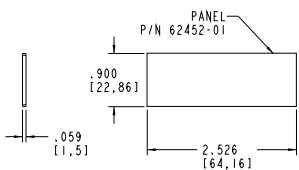
HML-9VB



HML-9VB-BC



SECTION B-B



PACINTEC®
1-610-361-4200

HML-9VB, HML-9VB-BC

VISIT **PACINTEC®**
ON THE WORLD WIDE WEB
www.pactecenclosures.com

COLOR / MATERIAL CODE	
COLOR	34HB 94V0
BLACK	000 028
P.C.BONE	039 060

DRAWING NUMBER	REV
62456	C