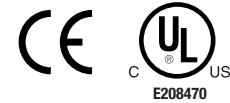


# TK 55/TK75 – Polycarbonate – 50 x 52 mm (1.97 x 2.05 in.) / 65 x 50 mm (2.56 x 1.97 in.)

## Standard Features

- **Protection Level:** IP66 (NEMA Type: 4X with gray cover, 12K with transparent cover)
- **Technical:**
  - Smooth Sidewalls
  - 1 Sidewall Knockout or Integral Cable Gland (5-10mm cable diameter)
  - Gray or Clear Transparent Cover
- **Enclosure Materials:** Polycarbonate
- **Gasket Material:** Polyurethane
- **Color:** Light Gray
- **Material**
  - Temperature Range:** Polycarbonate  
-40°C to 120°C (-40°F to 248°F)
- **Accessories:** See section below



## TK55 - 50 x 52 mm

### Polycarbonate

| Ordering Information               | Height mm (in)  | Cat. No. | Type       | Cover Color | Std. Pk. |
|------------------------------------|-----------------|----------|------------|-------------|----------|
| ☐ Enclosure - smooth sidewall      | 35 mm (1.38 in) | 120-455  | PC 55-4-o  | gray        | 5        |
| ☐ Enclosure - smooth sidewall      | 35 mm (1.38 in) | 130-455  | PC 55-4-to | trans.      | 5        |
| ☐ Enclosure - metric knockout      | 35 mm (1.38 in) | 127-455  | PC 55-4-m  | gray        | 5        |
| ☐ Enclosure - metric knockout      | 35 mm (1.38 in) | 137-455  | PC 55-4-tm | trans.      | 5        |
| ☐ Enclosure - Integral Cable Gland | 35 mm (1.38 in) | 129-455  | PC 55-4-v  | gray        | 5        |
| ☐ Enclosure - Integral Cable Gland | 35 mm (1.38 in) | 139-455  | PC 55-4-tv | trans.      | 5        |

## TK75 - 65 x 50 mm

### Polycarbonate

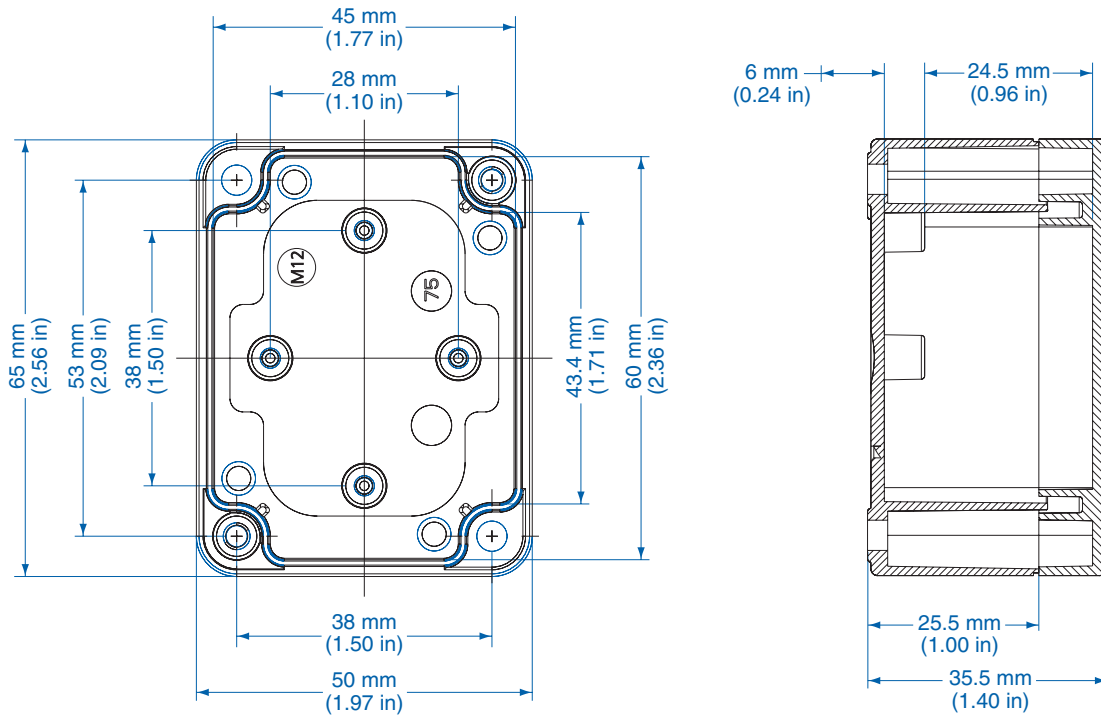
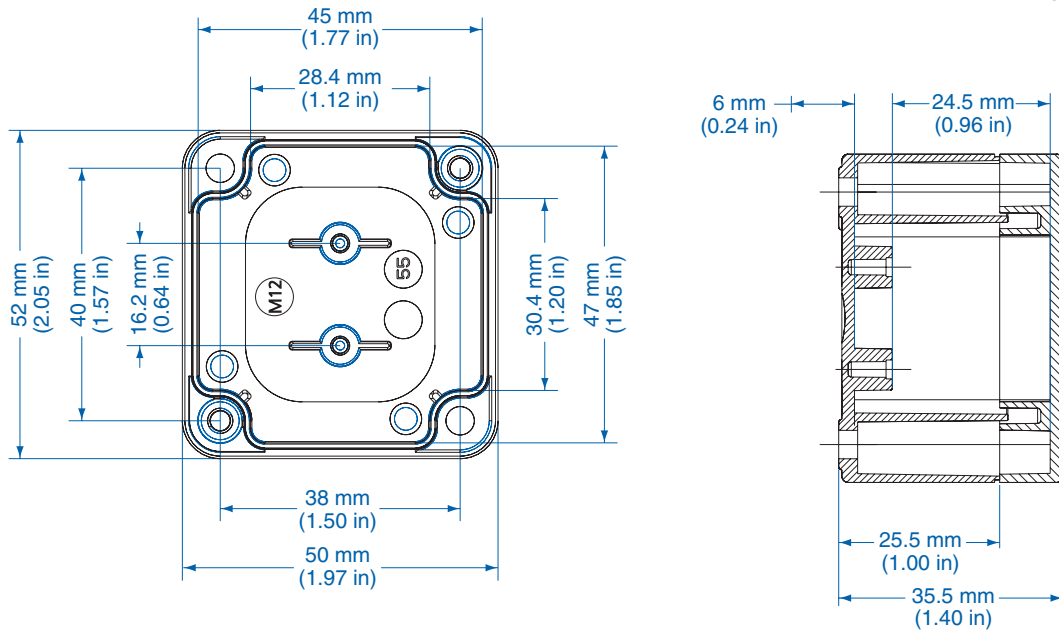
| Ordering Information               | Height mm (in)  | Cat. No. | Type       | Cover Color | Std. Pk. |
|------------------------------------|-----------------|----------|------------|-------------|----------|
| ☐ Enclosure - smooth sidewall      | 35 mm (1.38 in) | 120-475  | PC 75-4-o  | gray        | 5        |
| ☐ Enclosure - smooth sidewall      | 35 mm (1.38 in) | 130-475  | PC 75-4-to | trans.      | 5        |
| ☐ Enclosure - metric knockout      | 35 mm (1.38 in) | 127-475  | PC 75-4-m  | gray        | 5        |
| ☐ Enclosure - metric knockout      | 35 mm (1.38 in) | 137-475  | PC 75-4-tm | trans.      | 5        |
| ☐ Enclosure - Integral Cable Gland | 35 mm (1.38 in) | 129-475  | PC 75-4-v  | gray        | 5        |
| ☐ Enclosure - Integral Cable Gland | 35 mm (1.38 in) | 139-475  | PC 75-4-tv | trans.      | 5        |

## Accessories

| Ordering Information  | Cat. No. | Type     | Std. Pk. |
|-----------------------|----------|----------|----------|
| Mounting Plate (TK55) | 195-055  | TKMPI-55 | 1        |
| Mounting Plate (TK75) | 195-075  | TKMPI-75 | 1        |
| PCB Bracket           | 194-110  | MP/LPH   | 2        |
| Mounting Bracket      | 194-002  | MB       | 1        |

Please refer to pages 136-140 for additional accessories and detailed information.

**Dimensions**



**Knockout Positions**  
(one side only)

