

SIZE	GENERAL PURPOSE		
	PLAIN	POWDER COATED	NYLON COATED
P	459-0140	461-0140	462-0140
<b>SEALED</b>			
P	460-0140	453-0140	454-0140

Tel No. +44(0)1724273200 Website www.dem-uk.com



**PROPRIETARY AND CONFIDENTIAL**  
THE INFORMATION CONTAINED IN THIS DRAWING IS THE SOLE PROPERTY OF ALPHA 3 MANUFACTURING. ANY REPRODUCTION IN PART OR AS A WHOLE WITHOUT THE WRITTEN PERMISSION OF ALPHA 3 MANUFACTURING IS PROHIBITED.

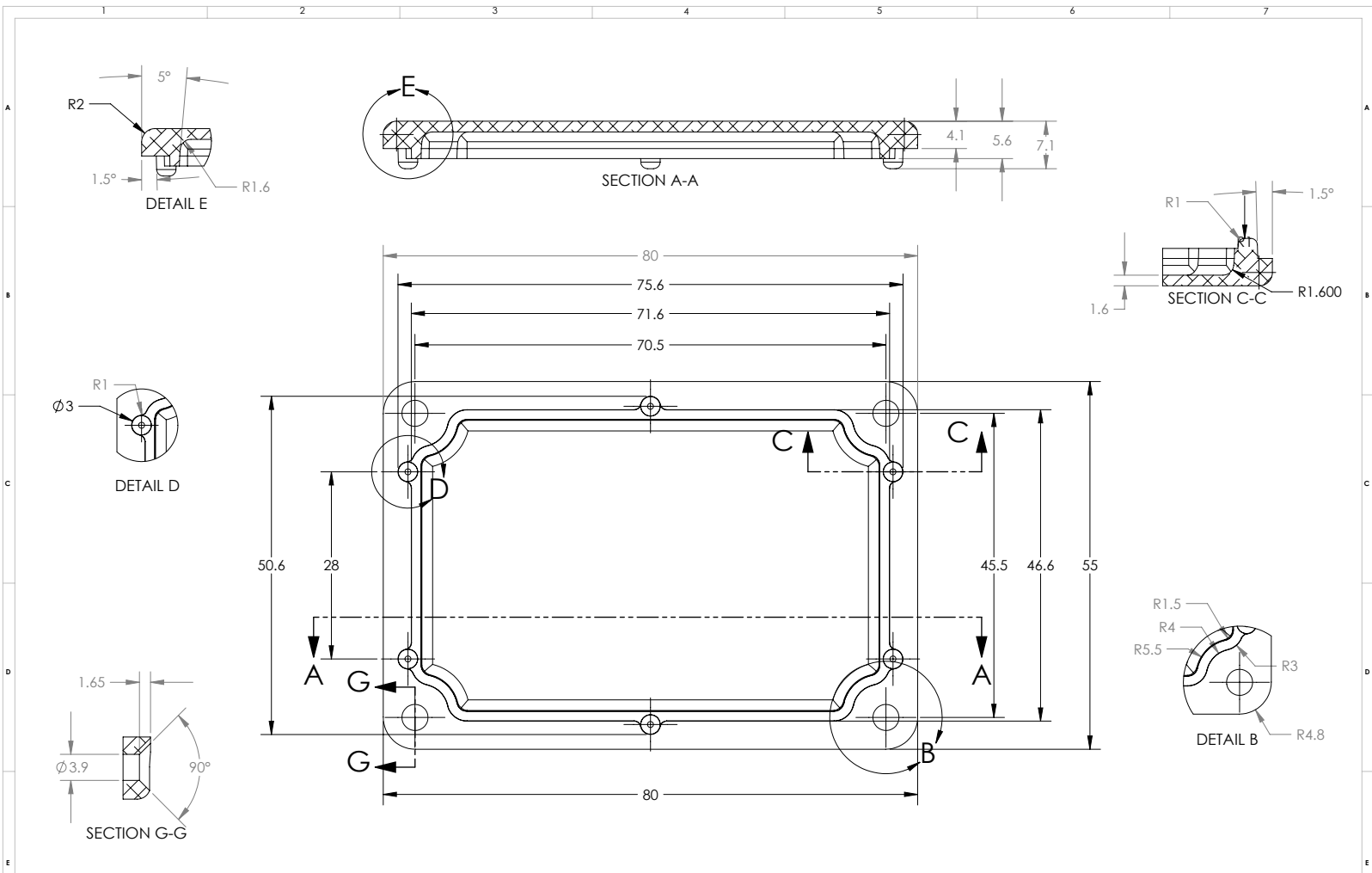
DEM Manufacturing, Deltron Emicon House  
Haggreaves Way, Sawcliffe Ind. Park,  
Scunthorpe, North Lincolnshire, DN15 8PF, UK

UNLESS OTHERWISE SPECIFIED:  
DIMENSIONS ARE IN MILLIMETRES  
LINEAR TOLERANCE:  
**NO DECIMAL PLACES ±0.5mm**  
**1 DECIMAL PLACE ±0.25mm**  
**2 DECIMAL PLACES ±0.125mm**  
ANGULAR TOLERANCE: ±1°

FINISH: -  
DEBURR AND BREAK SHARP EDGES  
DRAWN BY: B.SILLENCE  
APPROVED BY: B.SILLENCE  
BASED ANGLE PROJECTION  
IF IN DOUBT ASK DO NOT SCALE DRAWING  
MATERIAL: DieCast Aluminium Alloy

SHEET 1 OF 1  
SCALE 1:1  
A3

TITLE: **PROCUREMENT SPECIFICATION FOR 'P' SIZE DIECAST BOX**  
DRAWING NO.: P BOX  
ISSUE: 01  
Release



Tel No. +44(0)1724273200 Website www.dem-uk.com



**PROPRIETARY AND CONFIDENTIAL**  
 THE INFORMATION CONTAINED IN THIS DRAWING IS THE SOLE PROPERTY OF ALPHA 3 MANUFACTURING. ANY REPRODUCTION IN PART OR AS A WHOLE WITHOUT THE WRITTEN PERMISSION OF ALPHA 3 MANUFACTURING IS PROHIBITED.

DEM Manufacturing, Deltron Emicon House  
 Hargreaves Way, Sawcliffe Ind. Park,  
 Scunthorpe, North Lincolnshire, DN15 8BF, UK

**UNLESS OTHERWISE SPECIFIED:**  
 DIMENSIONS ARE IN MILLIMETRES  
 LINEAR TOLERANCE:  
**NO DECIMAL PLACES ±0.5mm**  
**1 DECIMAL PLACE ±0.25mm**  
**2 DECIMAL PLACES ±0.125mm**  
 ANGULAR TOLERANCE: ±1°

FINISH: -  
 DEBURR AND BREAK SHARP EDGES  
 IF IN DOUBT ASK DO NOT SCALE DRAWING  
 MATERIAL: DieCast Aluminium Alloy

DRAWN BY: B.SILLENCE  
 APPROVED BY: B.SILLENCE  
 SHEET 1 OF 1  
 SCALE 2:1  
 A3

TITLE		DRAWING NO.	
PROCUREMENT SPECIFICATION FOR 'P' SIZE BOX LID		P LID	
SHEET 1 OF 1		ISSUE 04	
SCALE 2:1		Release	