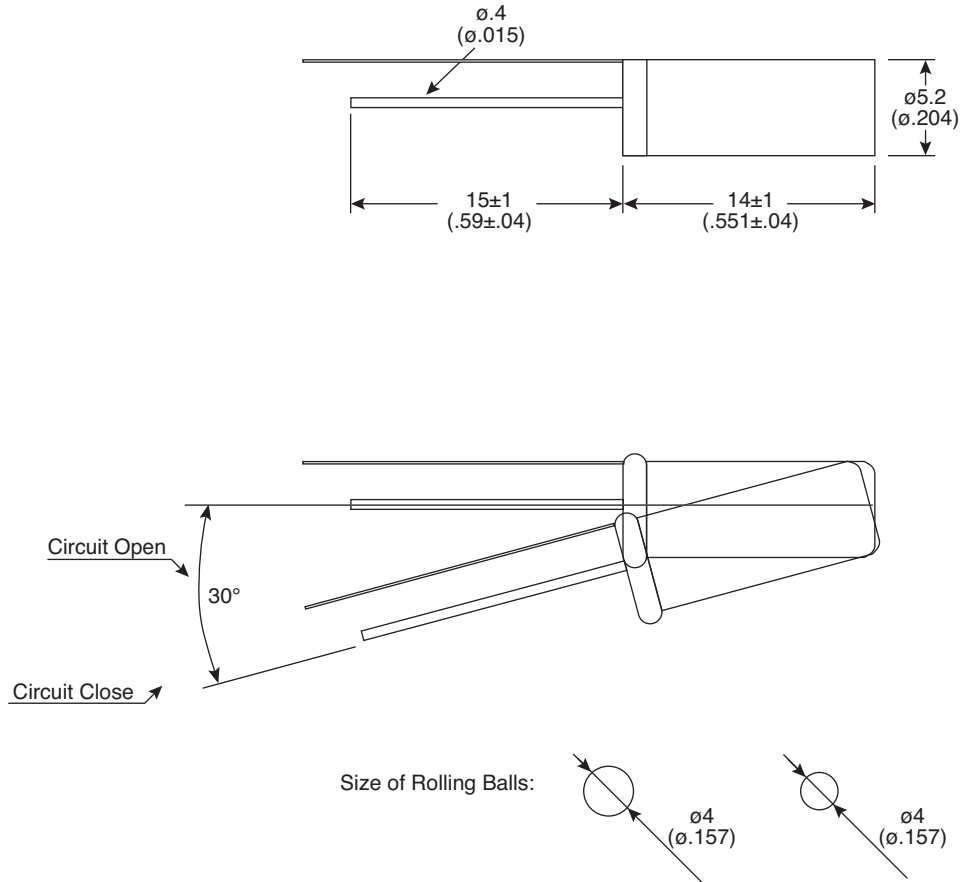


Dimensions: mm (In.)



Electrical Specifications:

- Max. Switch Rating: 6mA/24VDC
- Electrical life endurance: >50K cycles
- Contact Resistance: 2Ω max. (measured at 45° tilt)

Mechanical Specifications:

- Differential Angle: 30° max.
- Operating Temperature: $0^\circ \sim +100^\circ\text{C}$

Soldering Process:

- Temperature: 250°C , 3 seconds
(Only can be soldering by hand.)

Note:

- RoHS Compliant

Rolling Ball Tilt Switch
107-2001-EV

