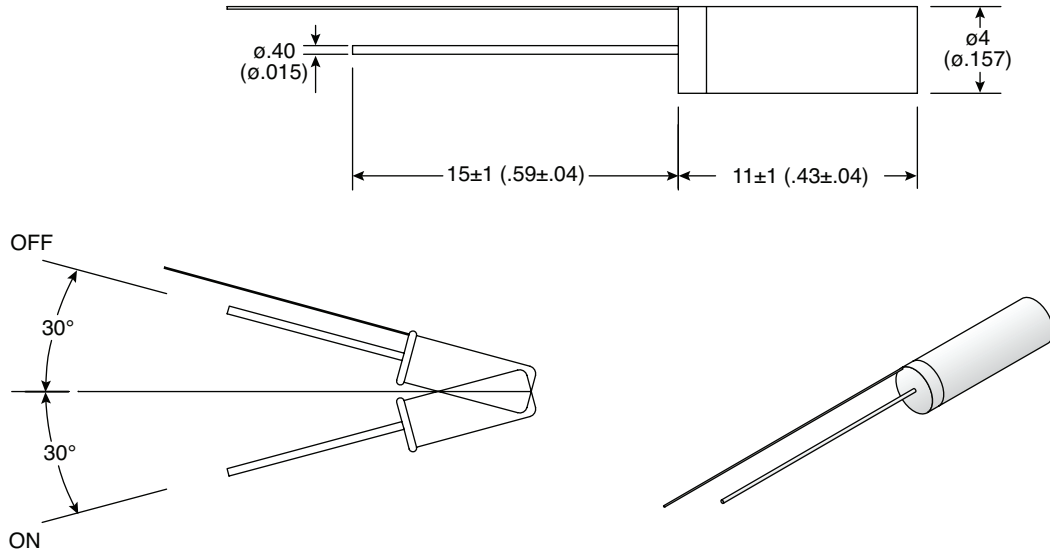


Dimensions: mm (in.)



Electrical Specifications:

- Max. Switch Rating: <6mA/24VDC
- Contact Resistance: 2Ω max. (measured at 45° tilt)

Mechanical Specifications:

- Differential Angle: 30° max.
- Operating Temperature: 0°~+100°C

Soldering Process:

- Temperature: 250°C, 3 seconds
(Can be soldered by hand only.)

Materials:

- Switch Housing: Copper coated with nickel (10μ)
- Terminal: Brass coated with nickel
- Rolling Ball: Steel coated with nickel. Ball weighted 0.25g.

Note:

- RoHS Compliant

Rolling-Ball Tilt Switch
107-2008-EV

