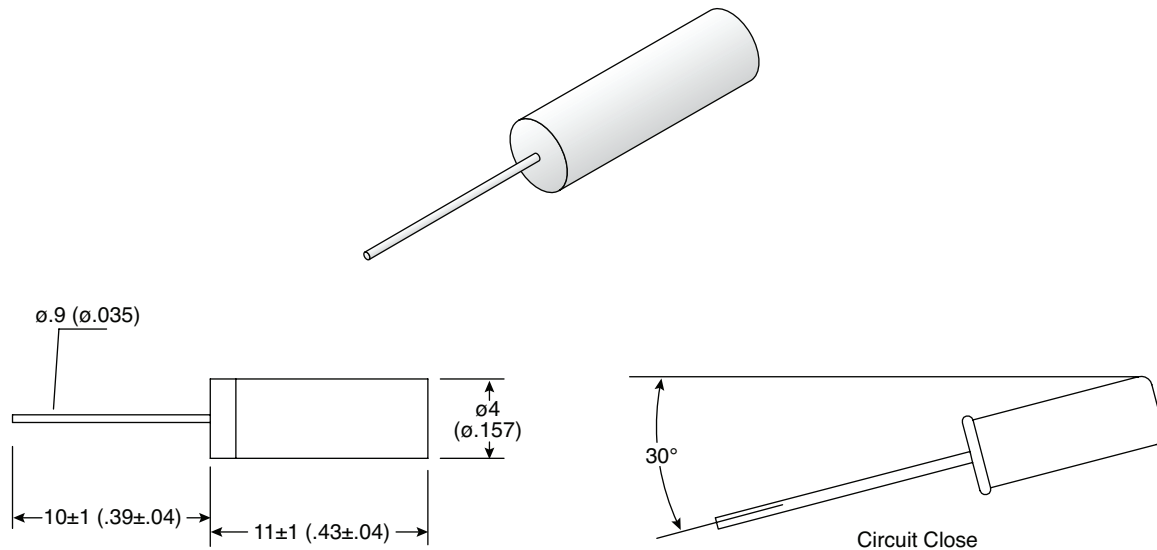


## Dimensions: mm (In.)

**Electrical Specifications:**

- Max. Switch Rating: <6mA/24VDC
- Electrical Life Endurance: >50,000 cycles
- Contact Resistance: 2Ω max. (measured at 45° tilt)

**Mechanical Specifications:**

- Differential Angle: 30° max.
- Operating Temperature: 0°~+100°C

**Soldering Process:**

- Temperature: 250°C, 3 seconds  
(Can be soldered by hand only.)

**Materials:**

- Switch Housing: Copper coated with nickel (10μ)
- Terminal: Brass coated with nickel
- Rolling Ball: Brass coated with nickel. Ball weighted 0.25g.

**Note:**

- RoHS Compliant

**Rolling-Ball Tilt Switch**  
107-2002-EV

**Mountain  
Switch**