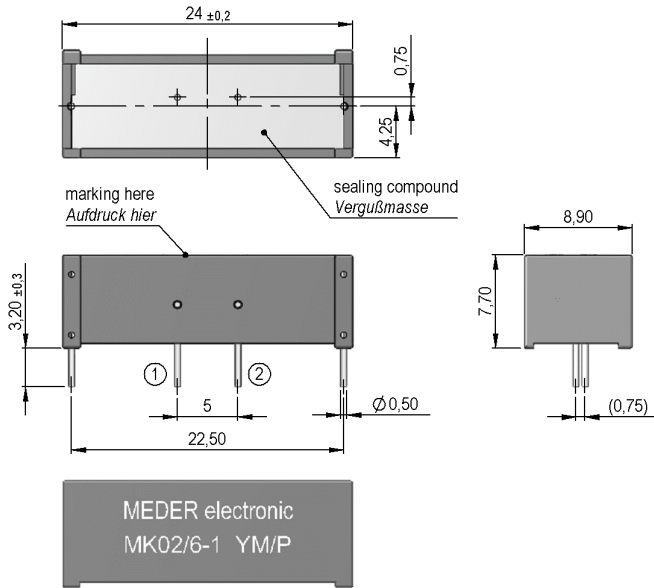
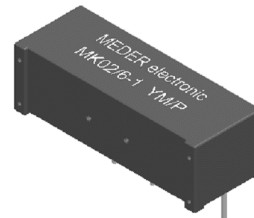


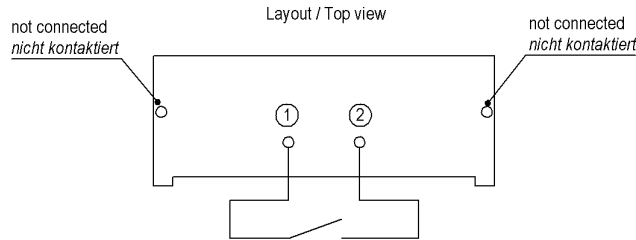
Dimensions mm[inch]
 tolerances acc. to DIN ISO 2768-m
 Toleranzen gem. DIN ISO 2768-m



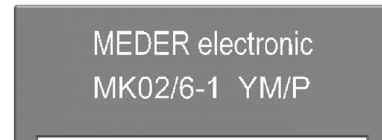
Isometric
 Scale 2:1
 Maßstab 2:1



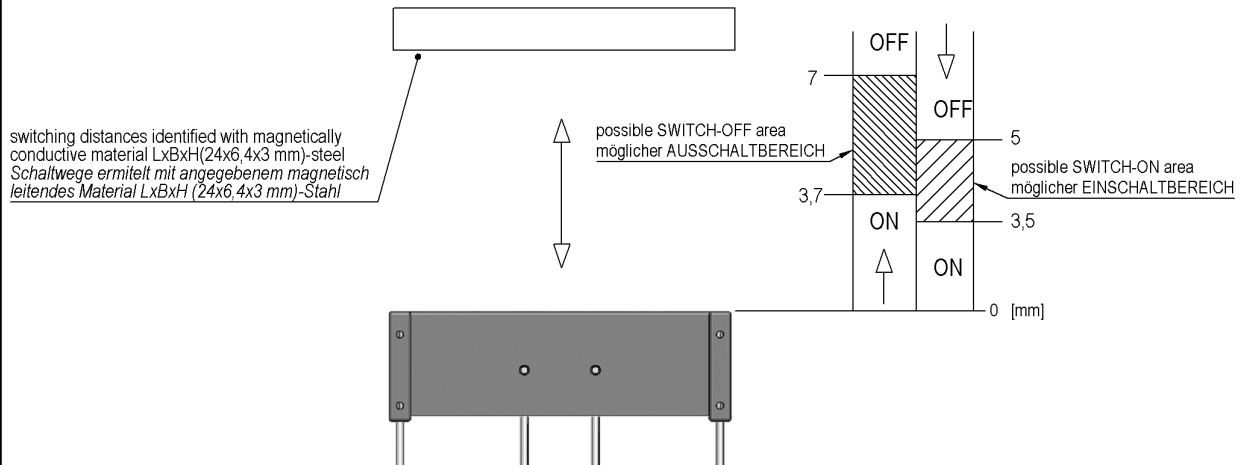
Schematic



Marking
 according to EN60062/factory code
 gem. EN60062/Fertigungsstätte



Switching distances





Products for tomorrow...

Europe: +49 / 7731 8399 0 | Email: info@meder.com
USA: +1 / 508 295 0771 | Email: salesusa@meder.com
Asia: +852 / 2955 1682 | Email: salesasia@meder.com

Item No.:
2226000000
Item:
MK02/6-1

Magnetic properties	Conditions	Min	Typ	Max	Unit
Pull in	at 20°C	3,5		5,5	mm
Drop out	at 20°C	3,7		7	mm
Test equipment		SV 041			

Special Product Data	Conditions	Min	Typ	Max	Unit
Contact - form		A - NO			
Contact rating	Any DC combination of V & A not to exceed their individual max.'s			10	W
operating voltage	DC or Peak AC			170	V
operating ampere	DC or Peak AC			0,5	A
Switching current	DC or Peak AC			0,5	A
Housing material		PBT 30% glass fibre reinforced			
Case color		black			
Sealing compound		Polyurethan			

Environmental data	Conditions	Min	Typ	Max	Unit
Ambient temperature		-20		80	°C
Storage temperature		-20		80	°C

Modifications in the sense of technical progress are reserved

Designed at: 04.12.07 Designed by:

Approval at: 06.12.07 Approval by:

Last Change at: Last Change by:

Approval at: 20.01.11 Approval by: DKUECHLER

Rev. No.: 03