

A Compact Sensor That Uses OMRON's Unique Flow Path Structure for High-performance Flow Rate Measurement.

- Anti-dust performance enhanced by OMRON's unique three-dimensional flow path structure.
- High accuracy of $\pm 5\%$ FS.

RoHS Compliant



Ordering Information

Sensor

Flow rate	Model number	Minimum order
0 to 1 m/s	D6F-W01A1	25
0 to 4 m/s	D6F-W04A1	

Cable (Order Separately)

Contact	Wires	Housing	Model number
SZH-002T-P0.5	AWG 26 (Length 200 mm)	ZHR-3	D6F-W CABLE

Performance

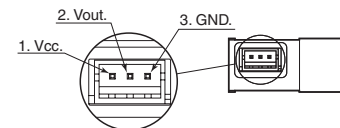
Item	Model number	D6F-W01A1	D6F-W04A1
Flow rate		0 to 1 m/s	0 to 4 m/s
		This is the flow rate at 25°C and 1 atmosphere.	
Case material		Thermoplastic resin	
Operating conditions	Applicable fluid	Air	
	Operating temperature	-10 to 60°C (with no condensation or icing)	
	Operating humidity	85% max. (with no condensation or icing)	
	Storage temperature	-40 to 80°C (with no condensation or icing)	
	Storage humidity	85% max. (with no condensation or icing)	
Power supply voltage		10.8 to 26.4 VDC	
Output signal		Analog output: 1 to 5 VDC, Load resistance: 10 k Ω (non-linear output)	
Current consumption		Without load: Vcc = 12 to 24 VDC, Vss = 0 V, 25 C, 15 mA max.	
Insulation resistance		Between Sensor outer cover and lead terminals: 20 M Ω min. (at 500 VDC)	
Withstand voltage		Between Sensor outer cover and lead terminals: 500 VAC, 50/60 Hz for 1 min (leakage current: 1 mA max.)	

Note: The flow rate is the value calculated from the mass flow rate in OMRON's specified 48-mm-dia. wind tunnel. It does not indicate the flow rate determined by the Measurement Law of Japan.
Confirm operation in the application environment before using the D6F.

Absolute Maximum Ratings

Item	Symbol	Rating	Unit
Power supply voltage	Vcc	26.4	VDC
Output voltage	Vout	6	VDC

Connections



Enlarged view

Pin No. 1: Vcc
2: Vout
3: GND

Connectors S3B-ZR-SM2-TF
(Made by J.S.T. Mfg. Co., Ltd.)

Use the following connectors from J.S.T. Mfg. Co., Ltd. to connect the D6F.

Contacts and Wires

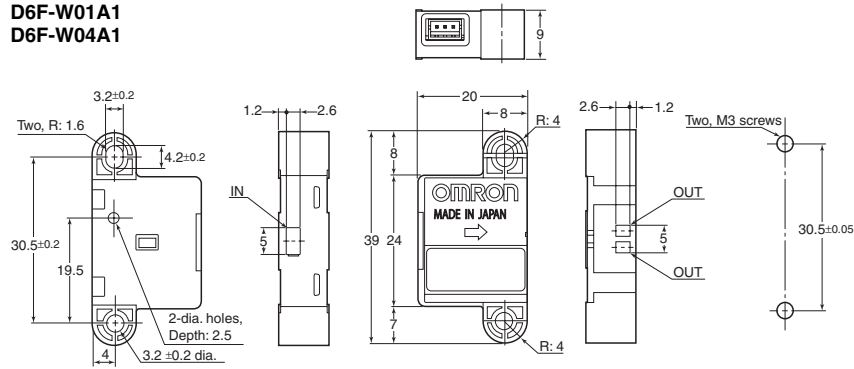
Contacts: SZH-002T-P 0.5
Wires: AWG28 to AWG26
or
Contacts: SZH-003T-P 0.5
Wires: AWG32 to AWG28
Housing: ZHR-3

Dimensions

(Unit: mm)

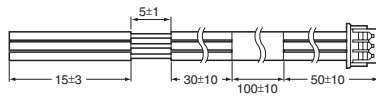
Sensor

D6F-W01A1
D6F-W04A1



Cable (Order Separately)

D6F-W CABLE



ALL DIMENSIONS SHOWN ARE IN MILLIMETERS.

To convert millimeters into inches, multiply by 0.03937. To convert grams into ounces, multiply by 0.03527.

Cat. No. A184-E1-01 **In the interest of product improvement, specifications are subject to change without notice.**

OMRON Corporation

Electronic Components Company

Semiconductor Division H.Q.

Micro Devices Division

686-1 Ichimiyake, Yasu,

Shiga, 520-2326 JAPAN

Tel: (81)77-587-7486/Fax: (81)77-587-7503

Printed in Japan

0109