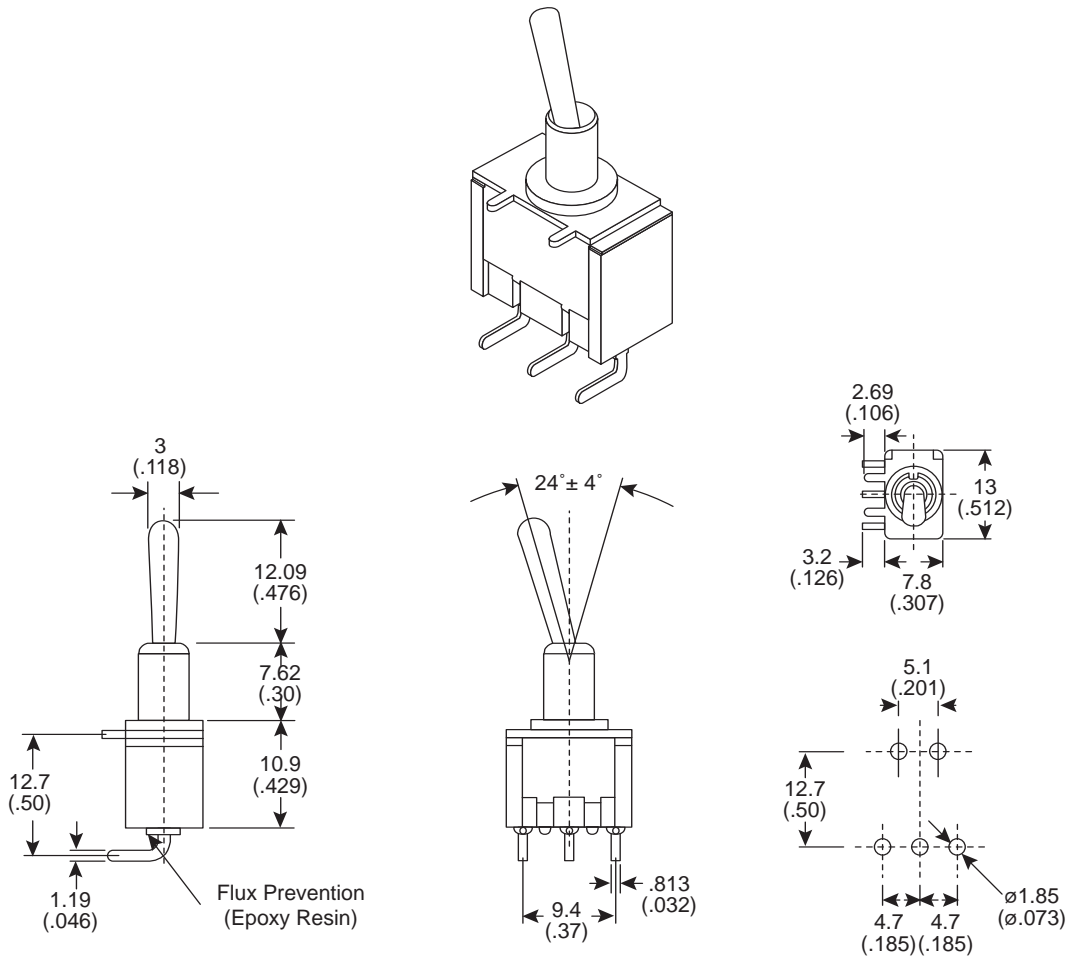


Dimensions: mm (In)



Electrical Specifications:

- Rating: 6A/125VAC
- Contact resistance: 1A/2.5VDC 20m max.
- Insulation resistance: 500VDC 100M min.
- Dielectric strength: 1,000VAC for 1 minute

Mechanical Specifications:

- Circuit: SPDT On-On

Miniature Toggle Switch
10TF230



Available from Mouser Electronics

www.mouser.com

1-800-346-6873

Specifications are subject to change without notice. No liability or warranty implied by this information. Environmental compliance based on producer documentation.