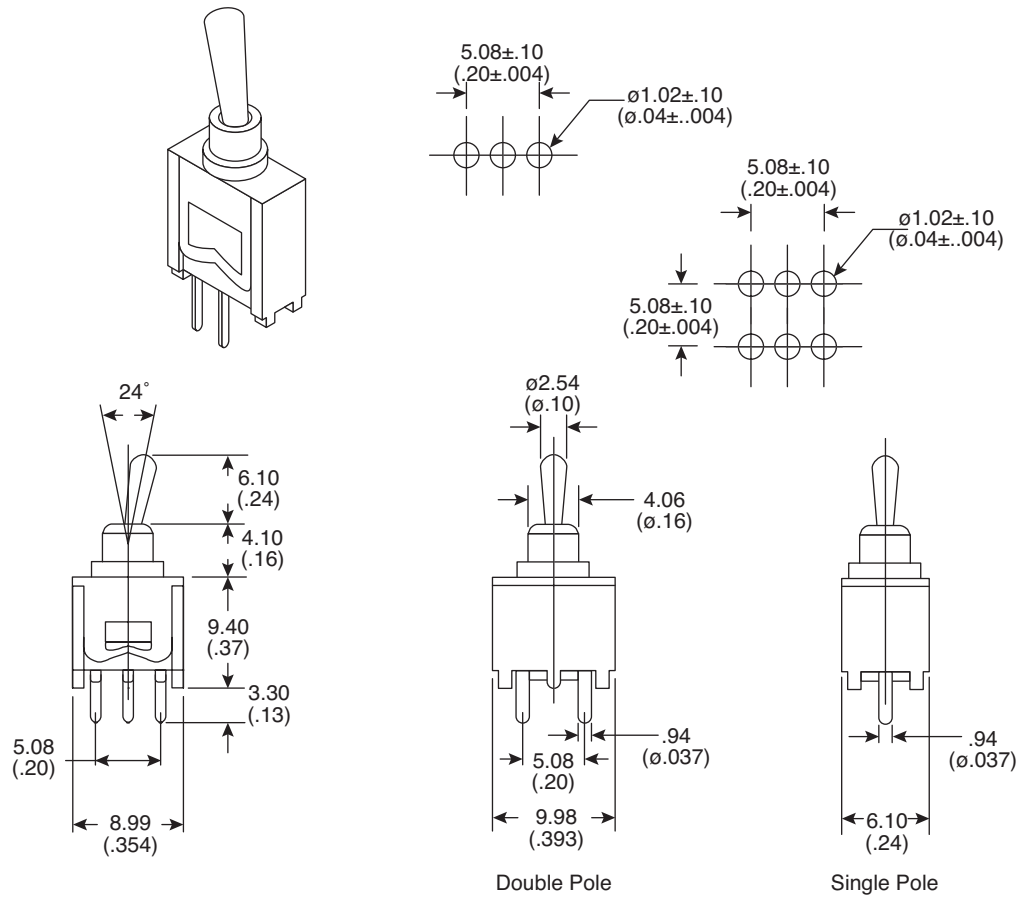


Dimensions: mm (in.)



Electrical Specifications:

- Insulation resistance: 100MΩ @ 500VDC
- Dielectric strength: 1,000VAC for 1 min (*500VAC)
- Contact resistance: 20mΩ @ 2.5VDC
- Rating: .3A/125VAC

*.3A / 30VDC

Mouser Stock No.	Type	Circuit
10TC605	SPST	On-Off
10TC610	SPDT	On-On
* 10TC612	SPDT	On-Off-On
* 10TC618	DPDT	On-Off-On
10TC615	DPDT	On-On

Description	Material	Finish
Lever	Brass	Ep-Cu/Ni
Metal	Brass	Ep-Cu/Ni
Frame	SUS	
Circuit Board	P F	
Terminal	C1100R	Ep-Cu/Ni
Center Terminal	C1100R	Ep-Cu/Ni

Sub-Miniature Toggle Switches
 10TC605, 10TC610, 10TC612, 10TC615, 10TC618



Available from Mouser Electronics

www.mouser.com

1-800-346-6873

Specifications are subject to change without notice. No liability or warranty implied by this information. Environmental compliance based on producer documentation.