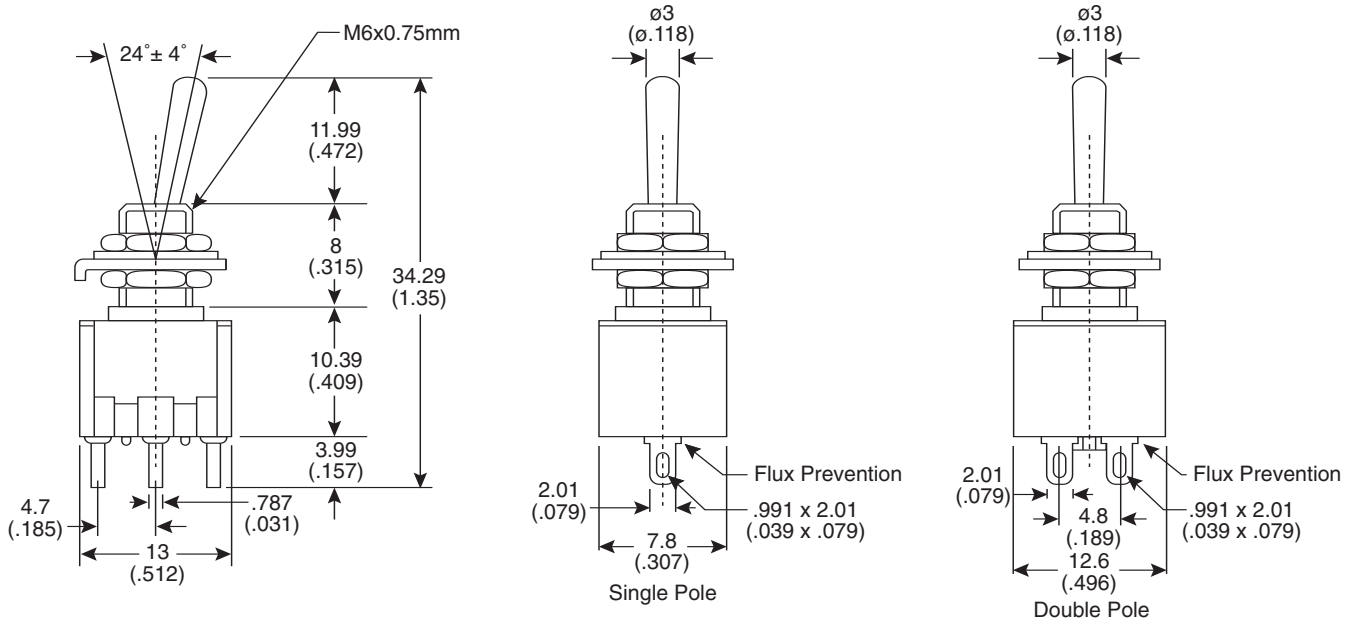
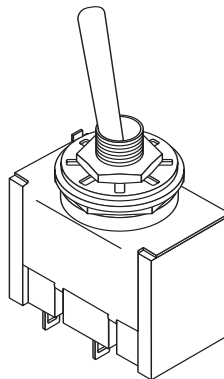


Dimensions: mm (In)



Electrical Specifications:

- Rating: 3A/125VAC, 1A/250VAC
- Contact resistance: 20mΩ (max.)
- Insulation resistance: 500VDC 100MΩ (min.)
- Dielectric Strength: 1000VAC for 1 minute

Materials:

- Toggle: nickel plated brass
- Terminals: solder

Mouser Stock No.	Type	Circuit
108-MS550K	2P SPST	On - Off
108-MS550A	3P SPDT	On - On
108-MS550C	3P SPDT	On - Off - On
108-MS550H	6P DPDT	On - Off - On

Miniature Toggle Switches

108-MS550K, 108-MS550A, 108-MS550C, 108-MS550H



Available from Mouser Electronics

www.mouser.com

1-800-346-6873