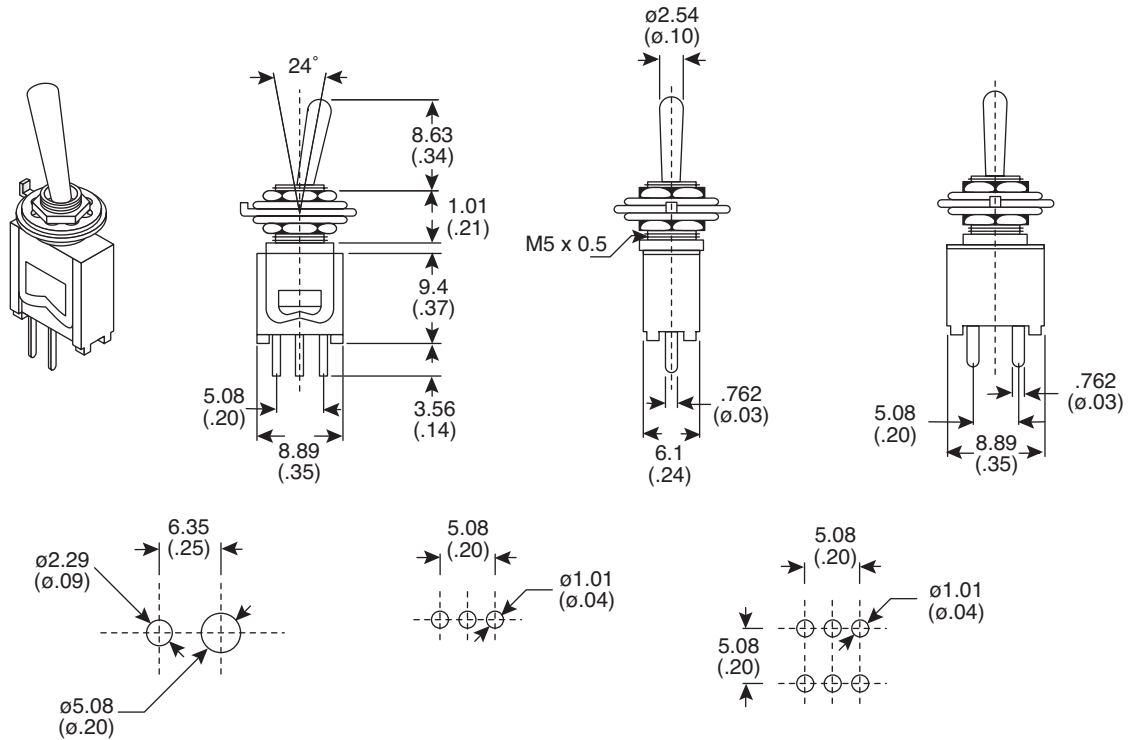


Dimensions: mm (In.)



**Electrical Specifications:**

- Rating: .3A/125VAC (\*.3A/30VDC)
- Insulation resistance: 100MΩ/500VDC
- Dielectric strength: 1,000VAC for 1min. (\*500VAC)
- Contact resistance: 20mΩ @ 2.5VDC

**Materials:**

- Contacts & terminals: gold plated

Mouser Stock No.	Type	Circuit
10TC405	SPST	ON-OFF
10TC410	SPDT	ON-ON
* 10TC412	SPDT	ON-OFF-ON
10TC415	DPDT	ON-ON
* 10TC418	DPDT	ON-OFF-ON

**Sub-Miniature Toggle Switches**

10TC405, 10TC410, 10TC412, 10TC415, 10TC418



Available from Mouser Electronics

www.mouser.com

1-800-346-6873

Specifications are subject to change without notice. No liability or warranty implied by this information. Environmental compliance based on producer documentation.