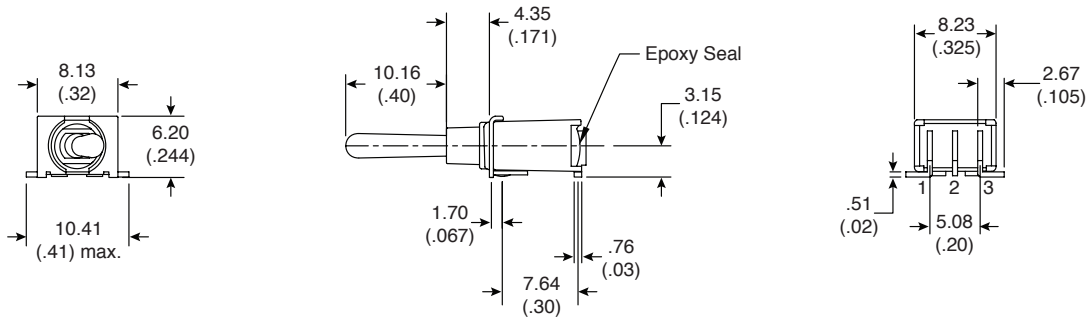
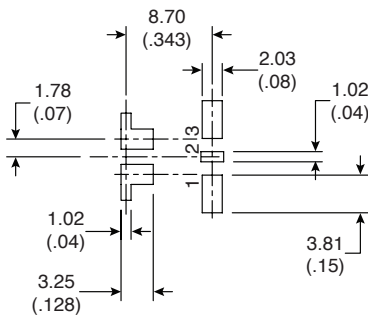


Dimensions: mm (In.)



P.C. Mounting



POS.1	POS.2	POS.3
ON	OFF	ON
2-3	OPEN	2-1

Switch Function

Mechanical Specifications:

- Mechanical Life: 50,000 make-and-break cycles
- Operating Temperature: -30°C to 85°C

Electrical Specifications:

- Rating: 0.4VA Max./20V AC or DC Max.
- Contact Resistance: 20mΩ max. initial @ 2-4VDC 100mA
- Insulation Resistance: 1,000MΩ min.
- Dielectric Strength: 1,000 V RMS@sea level

Note:

- RoHS Compliant by Exemption

Sealed Sub-Miniature Toggle Switch
108-2BS3T1T47-EVX



Available from Mouser Electronics

www.mouser.com 1-800-346-6873