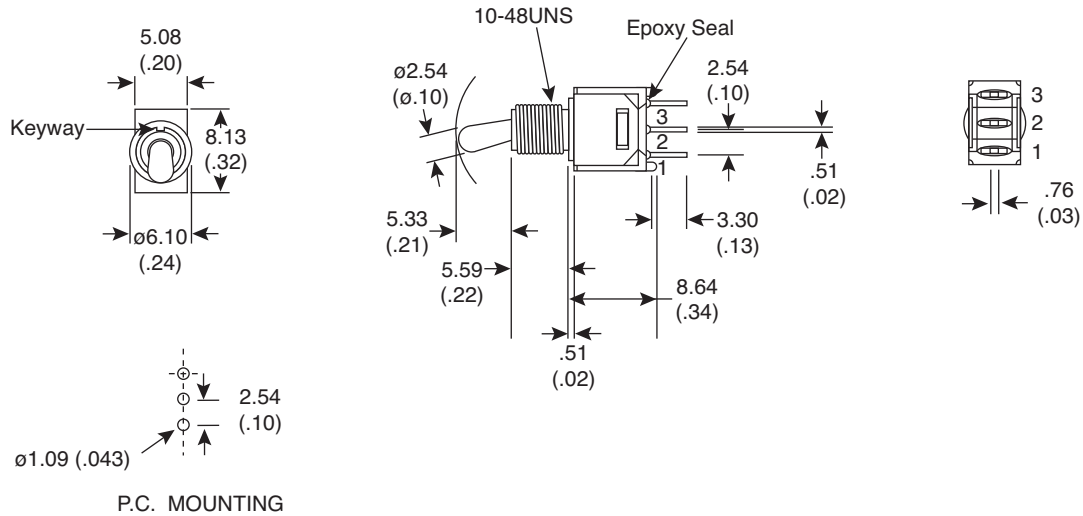
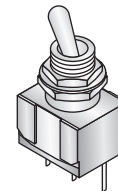


Dimensions: mm (in.)



POS.1	POS.2
ON	ON
2-3	2-1



Electrical Specifications:

- Contact Resistance: 20mΩ max. initial @ 2-4VDC 100mA
- Insulation Resistance: 1,000MΩ min.
- Dielectric Strength: 1,000 V RMS@ sea level.
- Rating:
 - 1A/250 VAC
 - 3A/120 VAC or 28 VDC

Materials:

- Case: Dialyl phthalate (DAP) (UL94v-0)
- Acuator: Brass, chrome plated.
- Bushing: Brass, nickel plated.
- Housing: Stainless steel.
- Switch Support: Brass, Tin plated.
- Terminal/Contact: Brass, silver plated

Mechanical Specifications:

- Operating Temperature: -30° C to +85° C.

Note:

- RoHS compliant by exemption

Toggle Switch
108-2MS1T2B3M2QE-EVX



Available from Mouser Electronics

www.mouser.com

1-800-346-6873

Specifications are subject to change without notice. No liability or warranty implied by this information. Environmental compliance based on producer documentation.