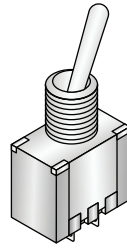
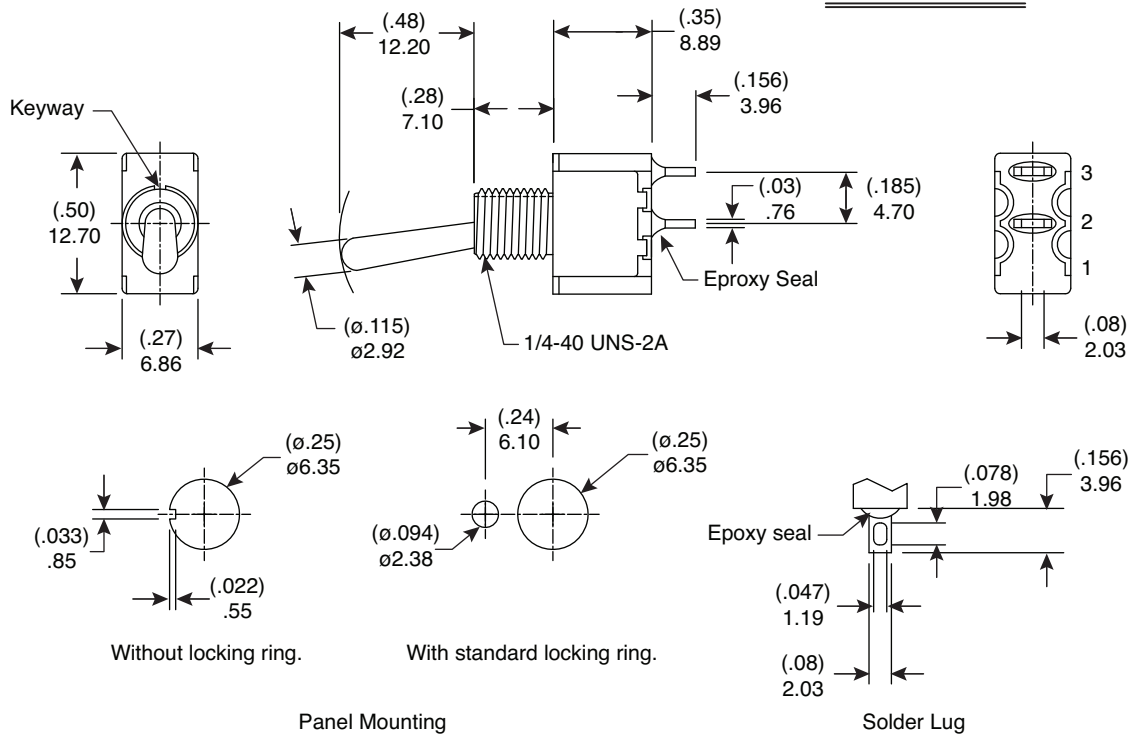


Dimensions: mm (in.)



POS. 1	POS. 2
ON	OFF
2-3	OPEN

SWITCH FUNCTION



**Electrical Specifications:**

- Rating: 2A/250VAC, 5A/120VAC or 28VDC
- Contact Resistance: 10m $\Omega$  max. initial @ 2-4VDC 100mA
- Insulation Resistance: 1,000M $\Omega$  min.
- Dielectric Strength: 1,000 V RMS @ sea level

**Materials:**

- Case: Diallyl phthalate (DAP)(UL94V-0)
- Actuator: Brass, chrome plated
- Bushing: Brass, nickel plated
- Housing: Stainless Steel
- Terminal/Contact: Silver or gold plated

**Mechanical Specifications:**

- Mechanical Life: 40,000 make-and-break cycles
- Operating Temperature: -30°C to 85°C
- Type: SPST
- Circuit: Off-On

**Note:**

- RoHS Compliant by Exemption

Miniature Toggle Switch  
108-0008-EVX



Available from Mouser Electronics

www.mouser.com

1-800-346-6873

Specifications are subject to change without notice. No liability or warranty implied by this information. Environmental compliance based on producer documentation.