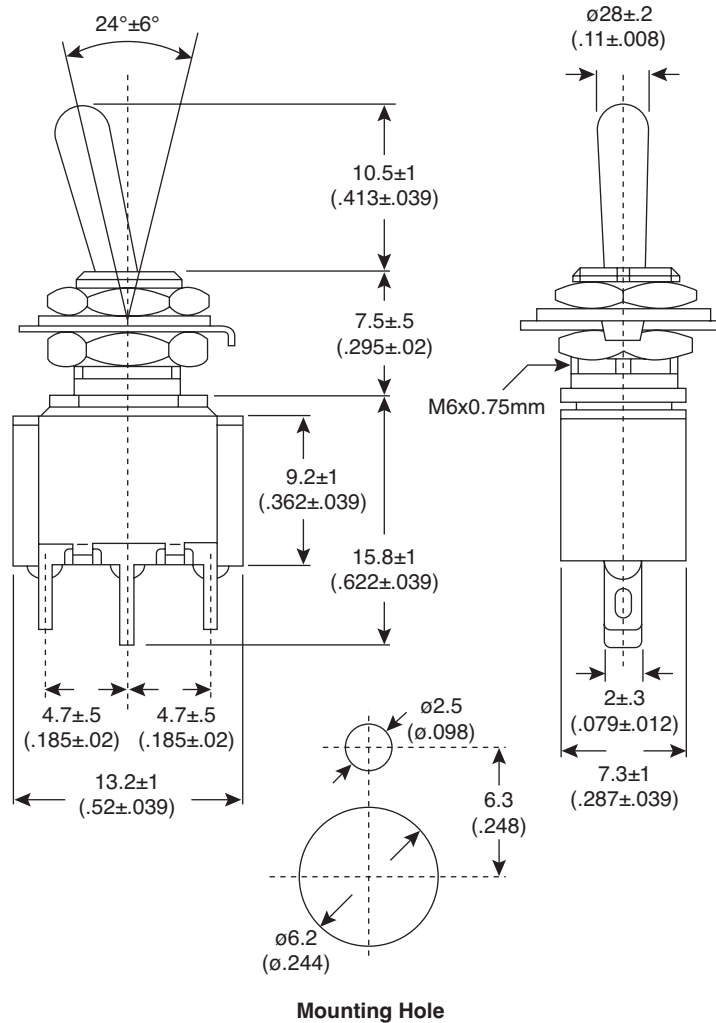


Dimensions: mm (in)



Electrical Specifications:

- Rating: 6A/125VAC, 3A/250VAC
- Contact resistance: 50m Ω max
- Insulation resistance: 100M Ω min. 500VDC
- Dielectric strength: 1000VAC 1 min
- Electrical life: 10,000 cycles

Mechanical Specifications:

- Mechanical life: 100,000 cycles
- Operating temperature: -20°C to $+65^{\circ}\text{C}$
- Circuit: 3P SPDT On-Off-On

Note:

- RoHS Compliant by Exemption

Miniature Toggle Switch
1055-TA1135-EVX



Available from Mouser Electronics

www.mouser.com

1-800-346-6873

Specifications are subject to change without notice. No liability or warranty implied by this information. Environmental compliance based on producer documentation.