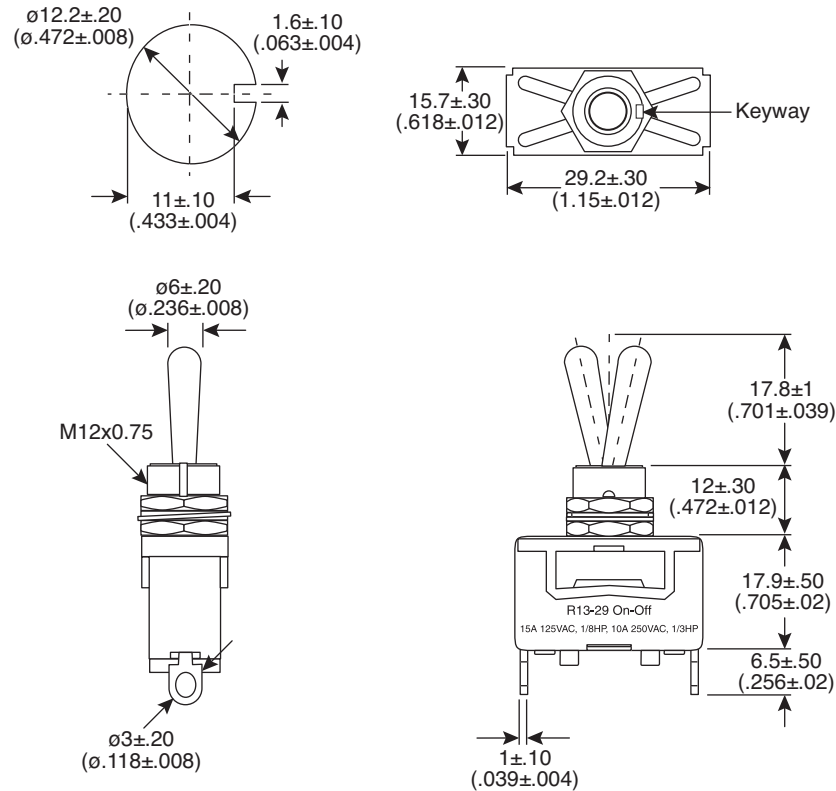


## Dimensions: mm (In.)

**Electrical Specifications:**

- Rating: 10A/250VAC 1/3HP; 15A/125VAC 1/8HP
- Contact Resistance: 50m  $\Omega$  Max.
- Insulation Resistance: 500VDC 100M  $\Omega$  Min.
- Dielectric Strength: 1500VAC 1 minute

**Mechanical Specifications:**

- Circuit: 2P SPST on-off

**Note:**

- RoHS Compliant by Exemption

**Toggle Switch**  
103-0011-EVX

**Mountain**  
**Switch**

Available from Mouser Electronics

www.mouser.com

1-800-346-6873