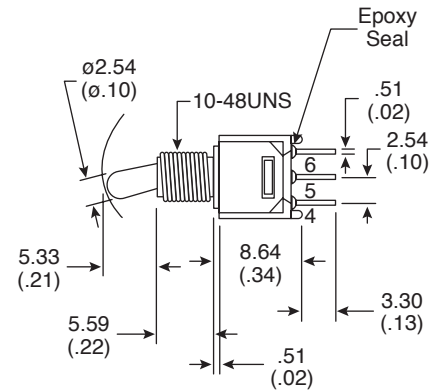
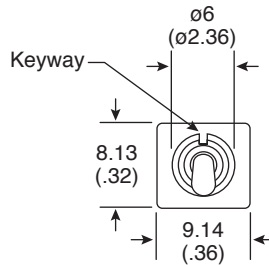
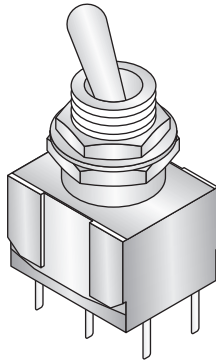
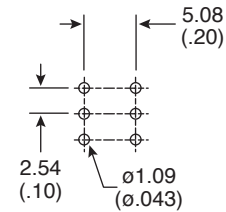
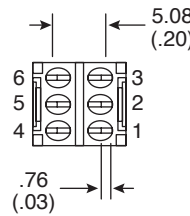


Dimensions: mm (In.)



POS.1	POS.2	POS.3
ON	OFF	ON
2-3,5-6	OPEN	2-1,5-4
2 Comm.		2 Comm.
5 Comm.		5 Comm.



P.C. Mounting

**Electrical Specifications:**

- Electrical Life: 30,000 make-and-break cycles at full load
- Contact Resistance: 20mΩ max. initial @ 2-4VDC 100mA
- Insulation Resistance: 1,000MΩ min.
- Dielectric Strength: 1,000 V RMS@ sea level.
- Rating: 1A / 250 VAC, 3A / 120 VAC or 28 VDC

**Mechanical Specifications:**

- Operating Temperature: -30° C to +85° C

**Note:**

- RoHS Compliant by Exemption

**Materials:**

- Case: Diallyl phthalate (DAP) (UL94v-0)
- Acuator: Brass, chrome plated.
- Bushing: Brass, nickel plated.
- Housing: Stainless steel.
- Terminal/Contact: Brass, silver plated.
- Switch Support: Brass, tin plated.

**Toggle Switch**  
108-2MD3T2B3M2QE-EVX



Available from Mouser Electronics

www.mouser.com

1-800-346-6873