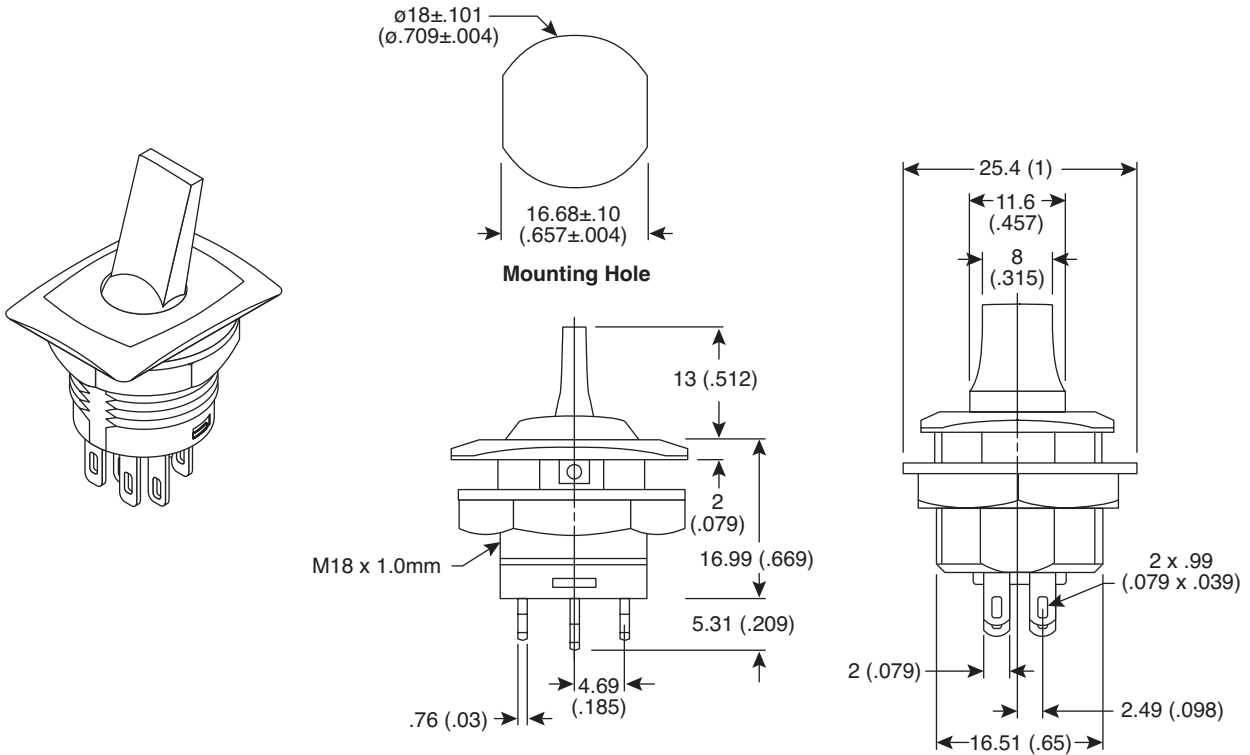


Dimensions: mm (In.)



**Electrical Specifications:**

- Rating: 6A/250VAC
- Contact resistance: 50mΩ max.
- Insulation resistance: 500VDC 100MΩ min.
- Dielectric strength: 1500VAC for 1 minute

**Mechanical Specifications:**

- Type: 6P, DPDT
- Circuit: On-On (103-4024), On-(On) (103-4025)
- Operational life cycles: 100,000

**Note:**

- RoHS Compliant

**Toggle Switches**  
103-4024-EV, 103-4025-EV

