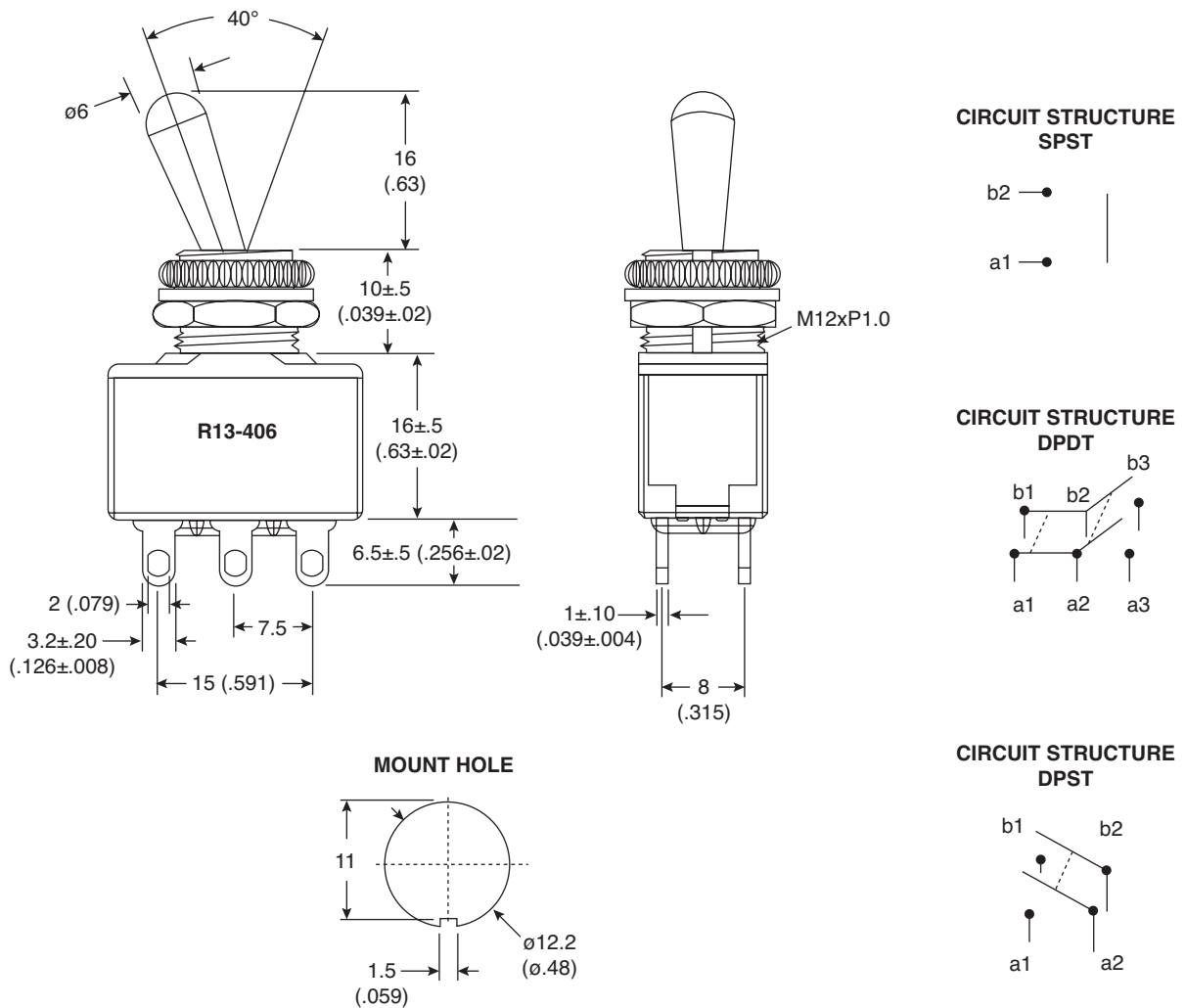


Dimensions: mm (In.)



**Electrical Specifications:**

- Rating: 6A/125VAC; 3A/250VAC
- Contact Resistance: 50mΩ Max.
- Insulation Resistance: 500VDC 100MΩ Min.
- Dielectric Strength: 1500VAC for 1 Minute

**Mechanical Specifications:**

- Operating Temperature: -20°C ~ +85°C

**Note:**

- RoHS Compliant by Exemption

Mouser Stock No.	Type	Circuit
103-0014-EVX	SPST	On-Off
103-0015-EVX	DPDT	On-On
103-0016-EVX	DPST	On-Off

**Toggle Switches**  
103-0014-EVX, 103-0015-EVX, 103-0016-EVX

