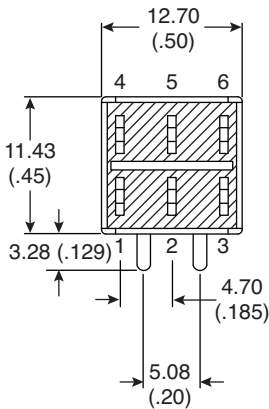
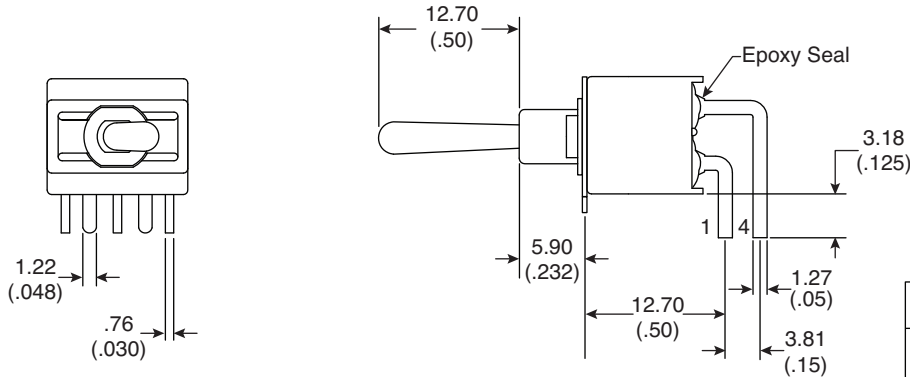
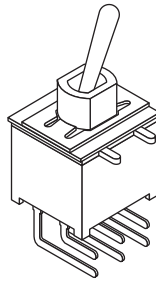
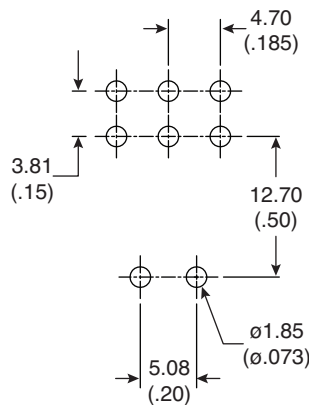


Dimensions: mm (in.)



P.C. Mounting



POS.1	POS.2
ON	ON
2-3, 5-6	2-1, 5-4

Switch Function

Electrical Specifications:

- Contact resistance: 10mΩ max. initial @ 2-4VDC 100mA
- Insulation resistance: 1,000MΩ min.
- Dielectric strength: 1,000 V RMS@sea level
- Rating: 2A / 250VAC; 5A / 120VAC or 28VDC

Mechanical Specifications:

- Mechanical life: 30,000 make-and-break cycles
- Operating temperature: -30°C to 85°C

Note:

- RoHS Compliant by Exemption

Soldering Process:

- Manual Soldering: Use a soldering iron of 30 watts, controlled at 350°C approximately 5 sec. while applying Solder.
- Wave Soldering: Recommended soldering temperature: 260±5°C  
Duration of solder immersion: 5±1 sec.  
(PCB is 1.6mm in thickness)

Sealed Miniature Toggle Switch  
108-1AD3T1699-EVX



Available from Mouser Electronics

www.mouser.com

1-800-346-6873

Specifications are subject to change without notice. No liability or warranty implied by this information. Environmental compliance based on producer documentation.