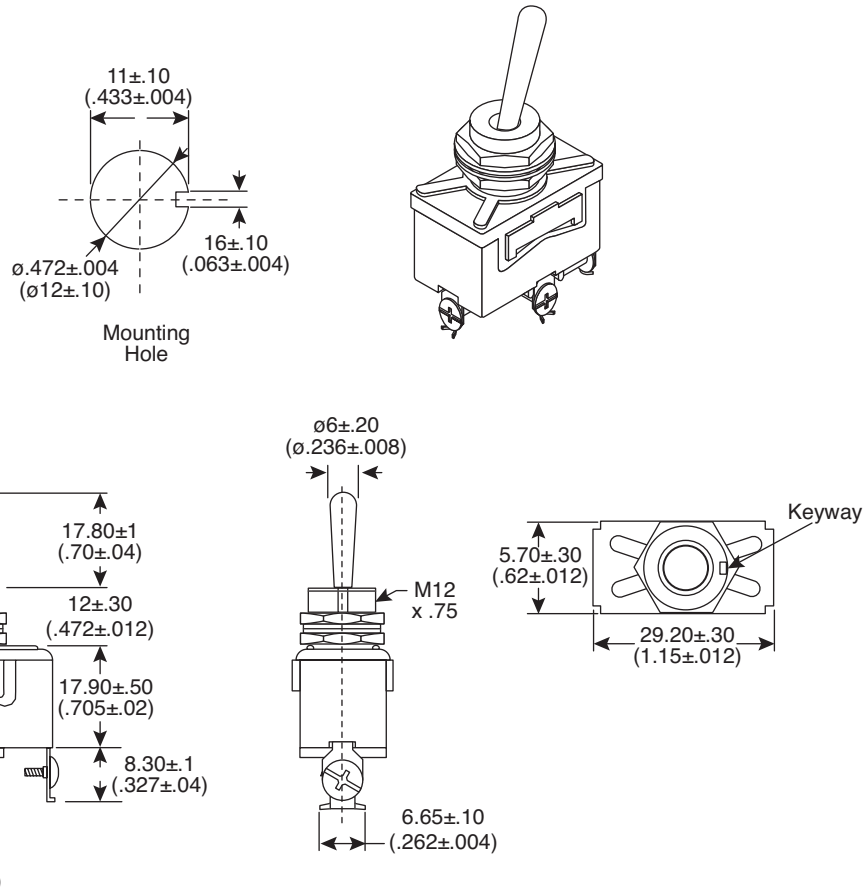


Dimensions: mm (in.)



Electrical Specifications:

- Rating: 15A/125VAC, 10A/250VAC
- Contact resistance: 50mΩ max.
- Insulation resistance: 100MΩ min. @ 500VDC
- Dielectric strength: 1500VAC for 1 minute

Mechanical Specifications:

- Type: 3P SPDT On-Off-On

Note:

- RoHS Compliant by Exemption

Toggle Switch
103-13293-EVX

