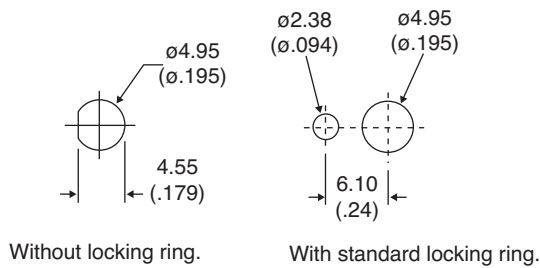
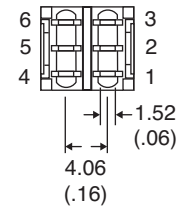
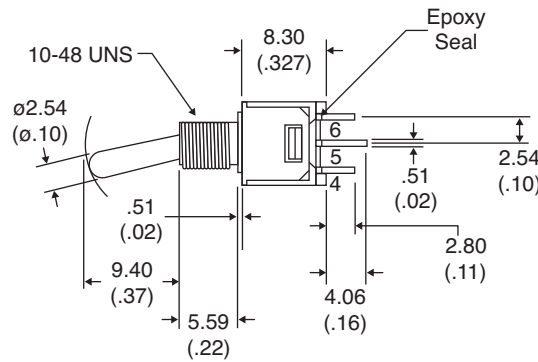
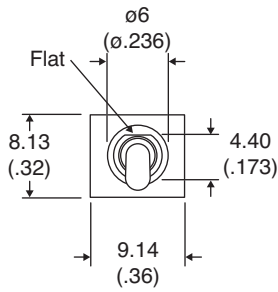
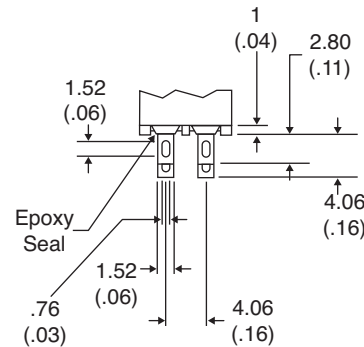


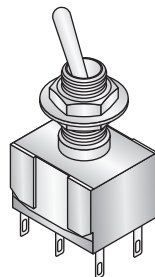
Dimensions: mm (in.)



PANEL MOUNTING



SOLDER LUG



POS.1	POS.2
ON	ON
2-3,5-6	2-1,5-4

**Electrical Specifications:**

- Contact Resistance: 20mΩ max. initial @ 2-4VDC 100mA
- Insulation Resistance: 1,000MΩ min.
- Dielectric Strength: 1,000 V RMS@ sea level.
- Rating:
  - 1A / 250 VAC
  - 3A / 120 VAC or 28 VDC

**Mechanical Specifications:**

- Operating Temperature: -30° C to +85° C

**Materials:**

- Case: Diallyl phthalate (DAP) (UL94v-0)
- Acuator: Brass, chrome plated.
- Bushing: Brass, nickel plated.
- Housing: Stainless steel.
- Switch Support: Brass, tin plated.
- Terminal/Contact: Brass, silver plated.

**Note:**

- RoHS Compliant by Exemption

**Toggle Switch**  
108-2MD1T1B1M1QE-EVX



Available from Mouser Electronics

www.mouser.com

1-800-346-6873

Specifications are subject to change without notice. No liability or warranty implied by this information. Environmental compliance based on producer documentation.