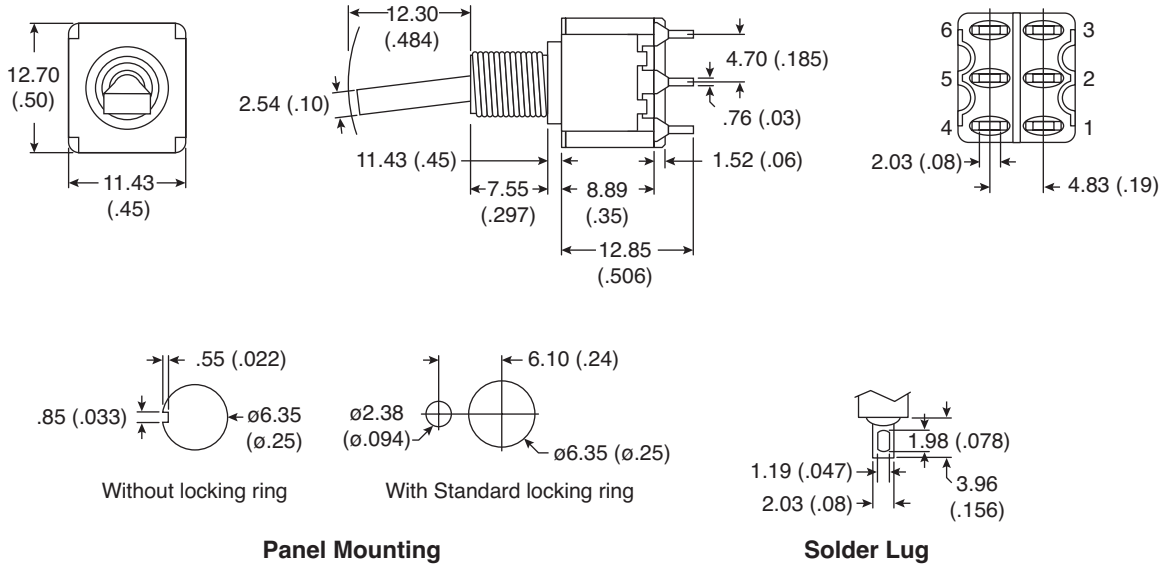


Dimensions: mm (In.)



Mechanical Specifications:

- Mechanical Life: 40,000 make and break cycles
- Operating temperature: -30°C ~ +85°C

Electrical Specifications:

- Rating: 5A/125VAC, 2A/250VAC
- Contact resistance: 10mΩ max initial @ 2-4 VDC 100mA
- Insulation resistance: 500VDC 100MΩ min
- Dielectric Strength: 1000VAC for 1 minute
- Electrical life: 10,000 cycles

Note:

- RoHS compliant by exemption

Mouser Stock No.	Type	Circuit
108-1MD4T6B1M1QE-EVX	DPDT	(On)-Off-(On)
108-1MD3T6B1M1QE-EVX	DPDT	On-Off-On

Toggle Switches

108-1MD4T6B1M1QE-EVX, 108-1MD3T6B1M1QE-EVX

