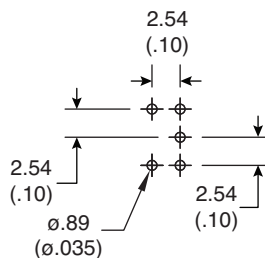
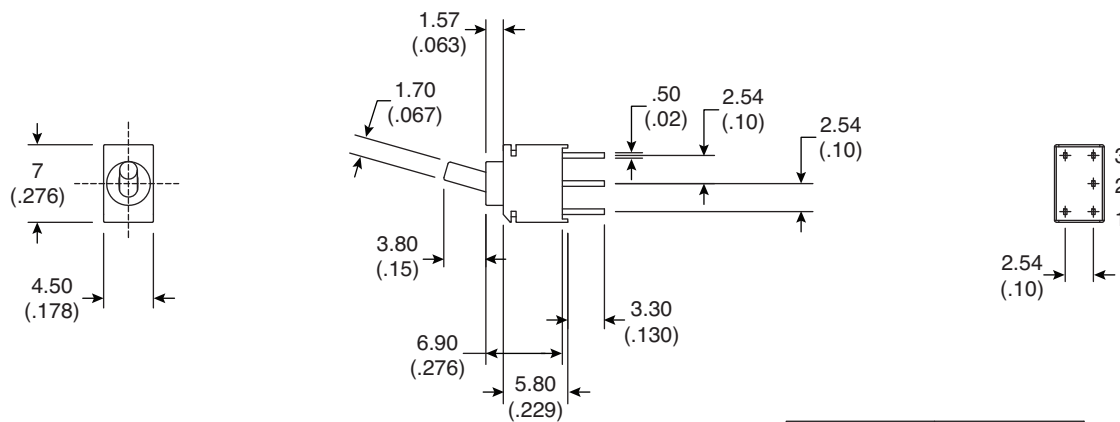
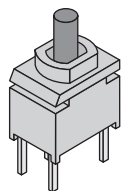


Dimensions: mm (in.)



P.C. Mounting

POS.1	POS.2
ON	ON
2-3	2-1

Switch Function

Electrical Specifications:

- Contact resistance: Below 100mΩ typ. initial @ 2-4 V DC, 100mA
- Insulation resistance: 1,000MΩ min.
- Dielectric strength: 500 V RMS min. @sea level
- Rating: 0.4VA max. / 20VAC or DC max.

Mechanical Specifications:

- Mechanical life: 40,000 make-and-break cycles
- Operating temperature: -30°C ± 85°C

Note:

- RoHS Compliant

Soldering Process:

- Wave Soldering: Recommended soldering temperature: 260±5°C
Duration of solder immersion: 5±1 sec.
(PCB is 1.6mm in thickness)

Sealed Ultra-Miniature Toggle Switch
108-2US1T1253-EV



Available from Mouser Electronics

www.mouser.com

1-800-346-6873

Specifications are subject to change without notice. No liability or warranty implied by this information. Environmental compliance based on producer documentation.