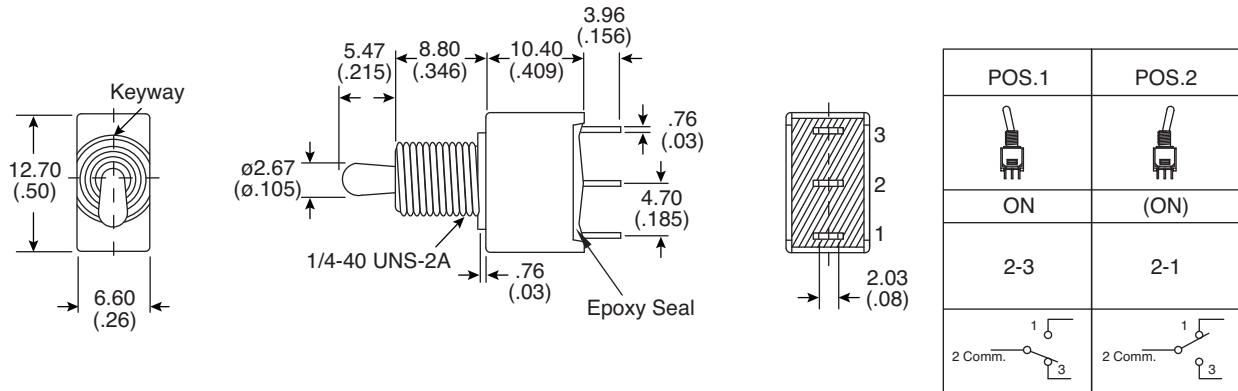
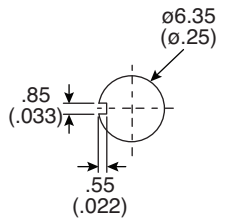


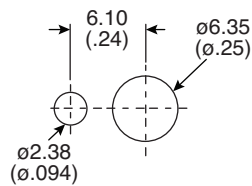
Dimensions: mm (in.)



Switch Function

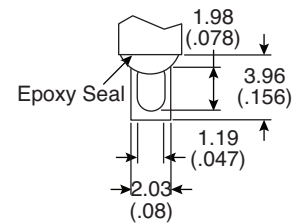


Without locking ring



With standard locking ring

Panel Mounting



Solder Lug

Electrical Specifications:

- Contact resistance: 10mΩ typ. initial @ 2-4 V DC, 100mA
- Insulation resistance: 1,000MΩ min.
- Dielectric strength: 1000 V RMS min. @sea level
- Rating: 2A/ 250VAC or 5A/120 VAC or 28 VDC

Mechanical Specifications:

- Mechanical life: 30,000 make-and-break cycles
- Operating temperature: -30°C ± 85°C

Note:

- RoHS Compliant By Exemption

Soldering Process:

- Manual Soldering: Use a soldering iron of 30 watts, controlled at 350°C approximately 5 sec. while applying Solder.
- Wave Soldering: Recommended soldering temperature: 260±5°C
Duration of solder immersion: 5±1 sec.
(PCB is 1.6mm in thickness)

Sealed Miniature Toggle Switch
108-1AS5T2187-EVX

