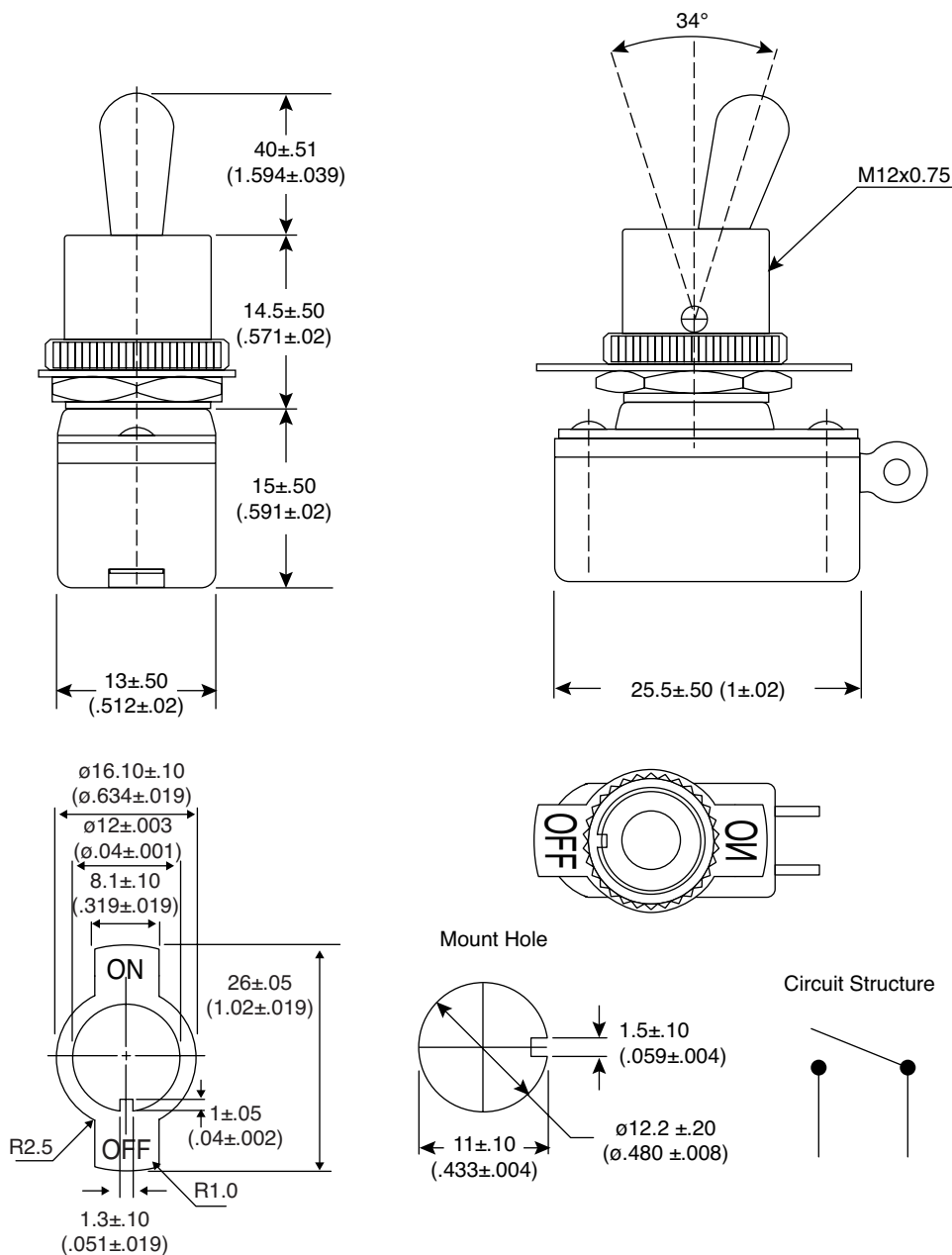


Dimensions: mm (in.)



Electrical Specifications:

- Rating: 6A/125VAC, 3A/250VAC
- Contact Resistance: 50mΩ Max.
- Insulation Resistance: 500VDC 100MΩ Min.
- Dielectric Strength: 1000VAC for 1 Minute

Mechanical Specifications:

- Circuit: 2P SPST On-Off

Note:

- RoHS Compliant by Exemption

Toggle Switch
103-0009-EVX

