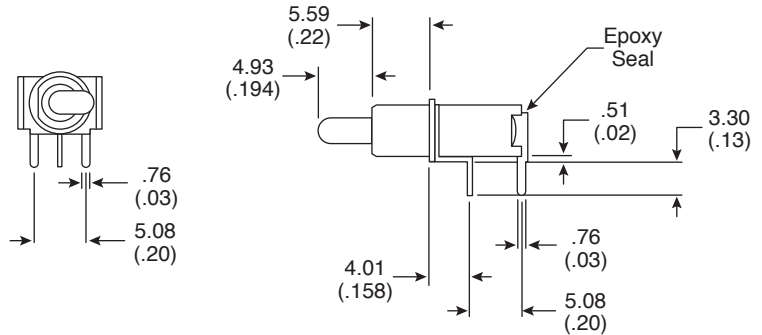
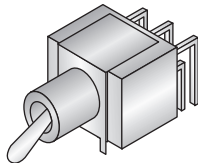
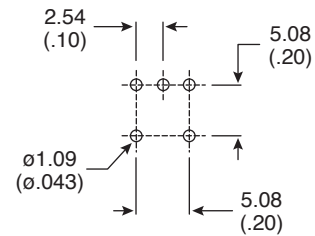
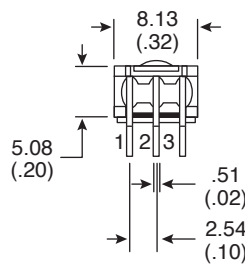


Dimensions: mm (In.)



Switch Function

POS.1	POS.2	POS.3
ON	OFF	ON
2-3	OPEN	2-1



P.C. Mounting

Electrical Specifications:

- Electrical Life: 30,000 make-and-break cycles at full load
- Contact Resistance: 20mΩ max. initial @ 2-4VDC 100mA
- Insulation Resistance: 1,000MΩ min.
- Dielectric Strength: 1,000 V RMS@ sea level.
- Rating:
 - 1A/250 VAC
 - 3A/120 VAC or 28 VDC

Materials:

- Case: Diallyl phthalate (DAP) (UL94v-0)
- Acuator: Brass, chrome plated.
- Bushing: Brass, nickel plated.
- Housing: Stainless steel.
- Terminals/Contact: Brass, with silver plate
- Switch Support: Brass, Tin plated.

Mechanical Specifications:

- Operating Temperature: -30° C to +85° C.

Note:

- RoHS compliant by exemption

Toggle Switch
108-2MS3T2B2M6QE-EVX

