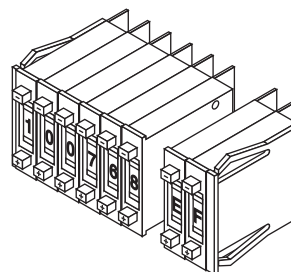
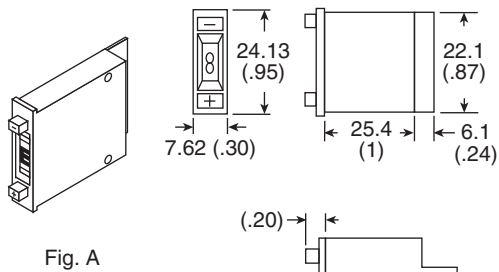
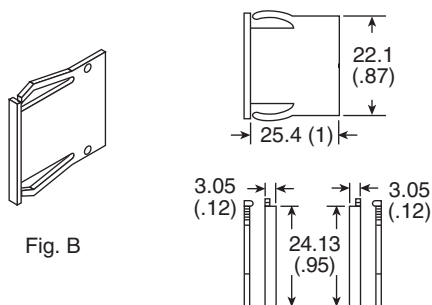


Dimensions: mm (In.)



Panel Thickness .03 to .13

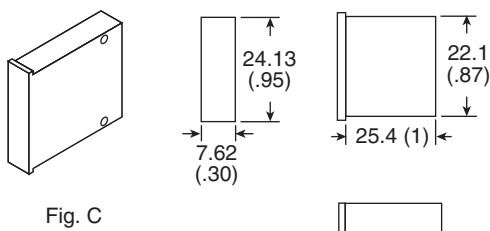


Truth Table 106-9904

Wheel	C Connected to Terminals				
	1	2	4	8	C
0					•
1	•				•
2		•			•
3	•	•			•
4			•		•
5	•		•		•
6		•	•		•
7	•	•	•		•
8				•	•
9	•			•	•
A		•		•	•
B	•	•		•	•
C			•	•	•
D	•		•	•	•
E		•	•	•	•
F	•	•	•	•	•

Truth Table 106-9905

Position	C Connected to Terminals				
	1	2	4	8	C
0					•
1	•				•
2		•			•
3	•	•			•
4			•		•
5	•		•		•
6		•	•		•
7	•	•	•		•
8				•	•
9	•			•	•



Mechanical Specifications:

- Mechanical life: 200,000 operations
- Operating temperature: -20°C to +65°C

Materials:

- Housing, blanks, endcaps, wheels, and pushwheel: black thermoplastic
- Contacts: hard gold on phosphor bronze
- Printed circuit boards: hard gold over nickel plate on .031" epoxy laminate

Electrical Specifications:

- Electrical life: 100,000 operations
- Rating: 100mA/50VAC/28VDC
- Insulation resistance:
 - between common and any output: 10MΩ (min.);
 - between output and non-carrying part: 1000MΩ (min.)
- Dielectric strength (for 1 minute):
 - between common and any output: 800VAC;
 - between output and non-carrying part: 1000VAC

Mouser Stock No.	Fig.	Description
106-9904	A	Single section, hexadecimal switch
106-9905	A	Single section, BCD 10 position
106-9901	B	Standard width end cap, right
106-9902	B	Standard width end cap, left
106-9903	C	Standard width blank

Hexadecimal Pushwheel Switches
106-9901, 106-9902, 106-9903, 106-9904, 106-9905

